



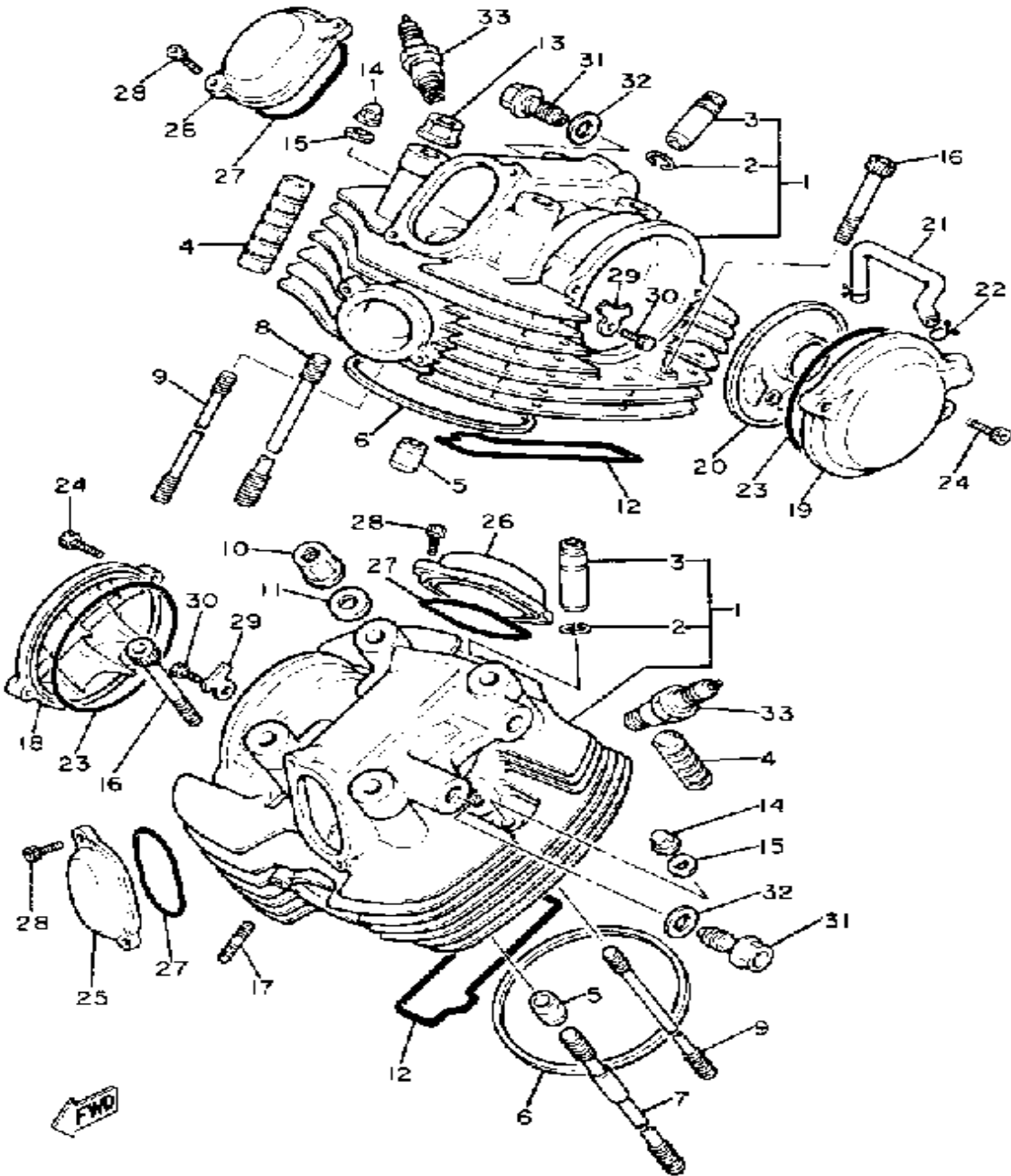
YAMAHA

GENUINE

PARTS CATALOGUE

MOTORCYCLE

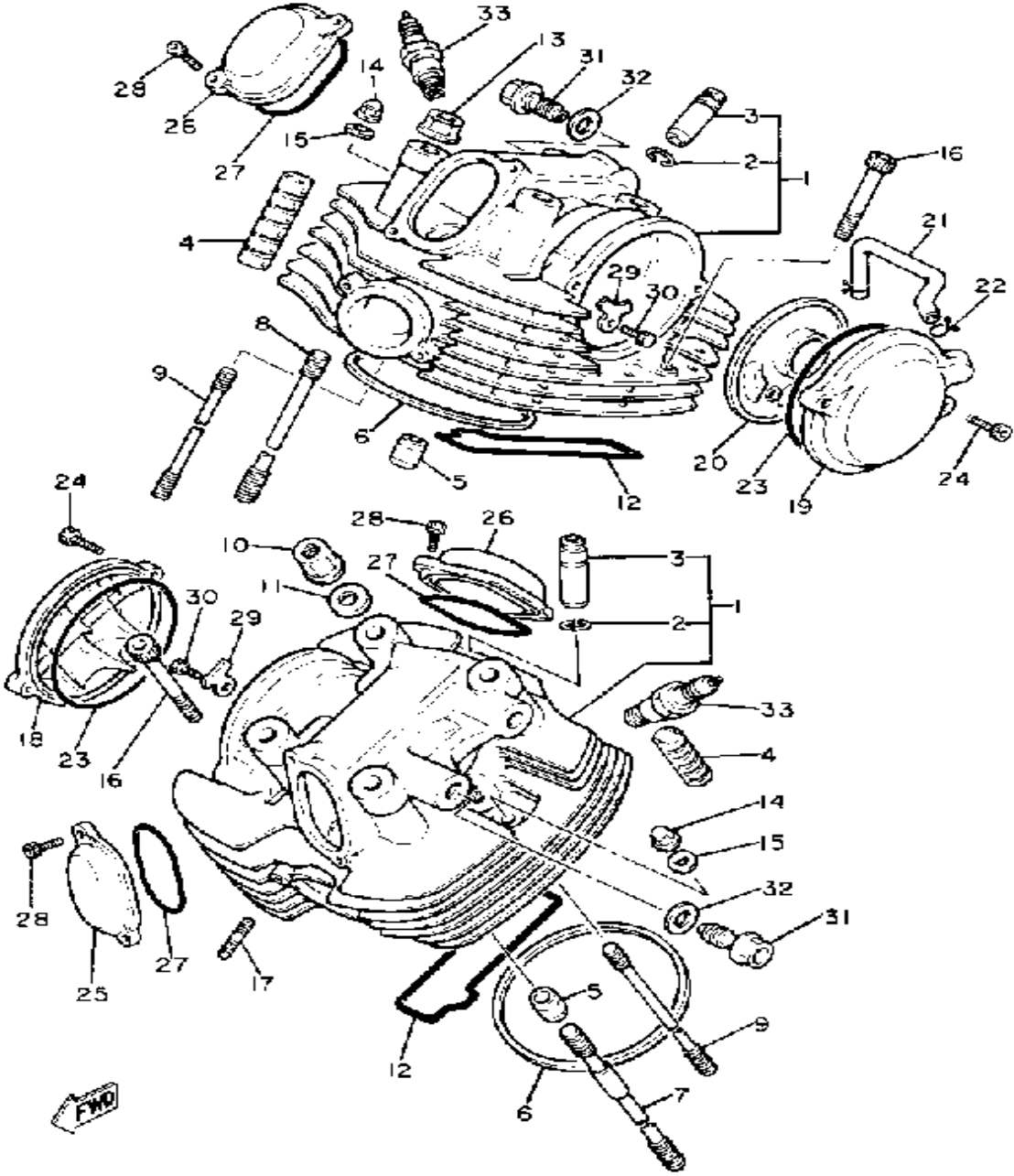
CYLINDER HEAD



Ref. No.	Part Number	Description	Qty	Remarks
1	4X7-11110-01-00	CYLINDER HEAD ASSEMBLY (4X7-11110-00)	2	
2	93440-14086-00	. CIRCLIP, OUTER	2	
3	4X7-11133-10-00	. GDE, INTK VLV 1 O/S	4	
4	4X7-11127-00-00	ABSORBER 3	8	
5	91800-06030-00	PIN, DOWEL	4	
6	4X7-11181-00-00	GASKET, CYLINDER HEAD 1	2	
7	4X7-11363-01-00	BOLT, CYLINDER HOLDING 3	4	
8	90116-12469-00	BOLT, STUD	4	
9	90116-10344-00	BOLT, STUD	2	
10	90179-12326-00	NUT, SPEC'L SHAPE	4	
11	90201-125A3-00	WASHER, PLATE	4	
12	4X7-11355-00-00	SEAL, CYLINDER 1	2	
13	90179-12325-00	NUT	4	
14	90176-10049-00	NUT, CROWN	2	
15	90201-102G9-00	WASHER, PLATE	2	
16	91311-08050-00	BOLT, SOCKET HEAD	4	
17	95611-08625-00	BOLT, STUD	4	
18	4X7-11185-00-00	CVR, CYLINDER HD SIDE 1	1	
19	4X7-11111H-00-00	COVER, CYLINDER.HEAD 4	1	
20	4X7-11165-00-00	PLATE, BREATHER	1	
21	(4X7-11166-00-00)	PIPE, BREATHER 1	1	
22	90467-14015-00	CLIP	2	
23	93210-92448-00	O-RING	2	
24	91311-06025-00	BOLT, SOCKET HEAD	4	
25	4X7-11186-00-00	COVER, CYLINDER.HEAD 2	2	
26	4X7-11187-00-00	COVER, CYLINDER.HEAD 3	2	
27	93210-62446-00	O-RING	4	
28	91311-06016-00	BOLT, SOCKET HEAD	8	

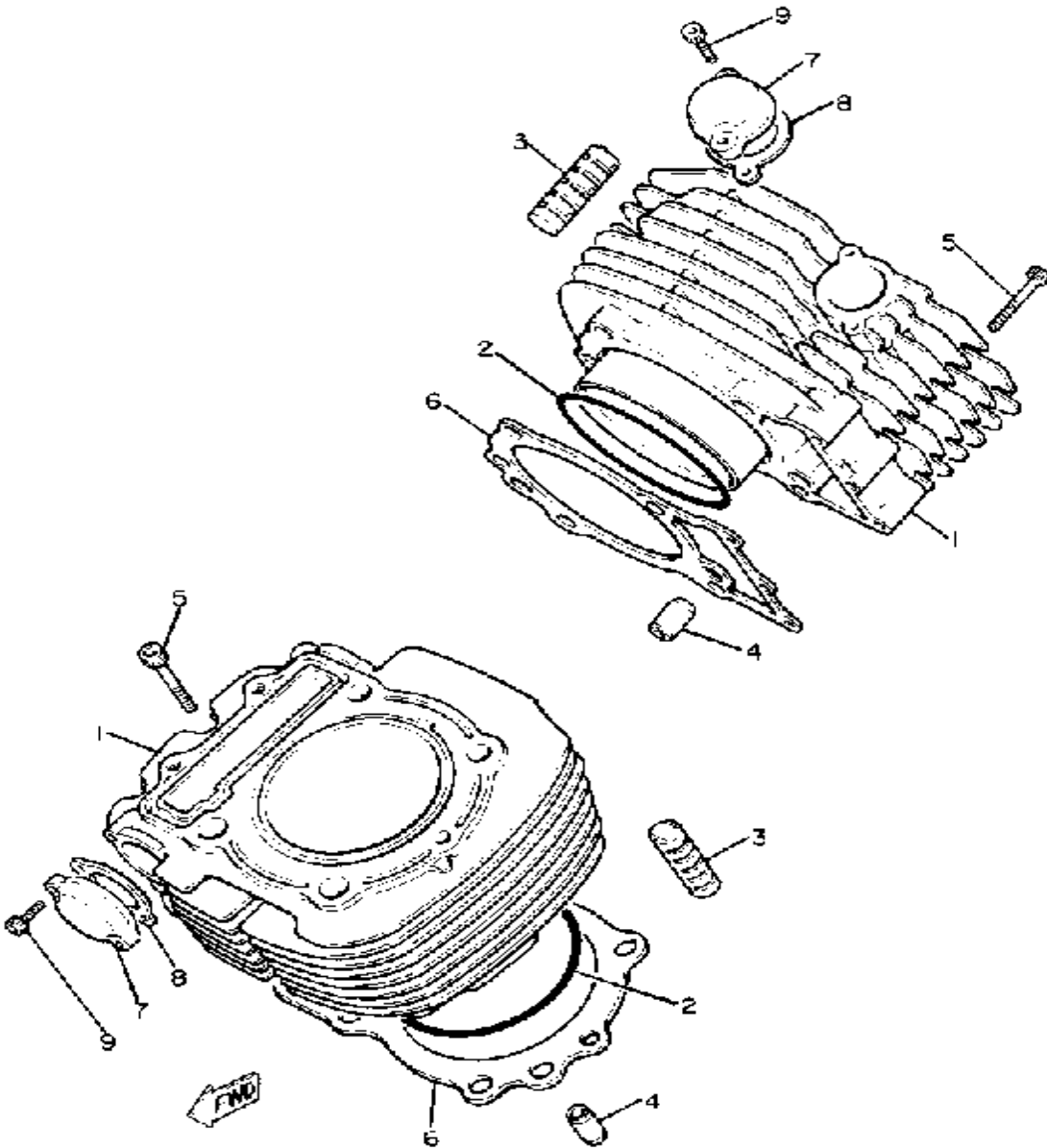
CONTINUED ON NEXT FRAME ►

CYLINDER HEAD



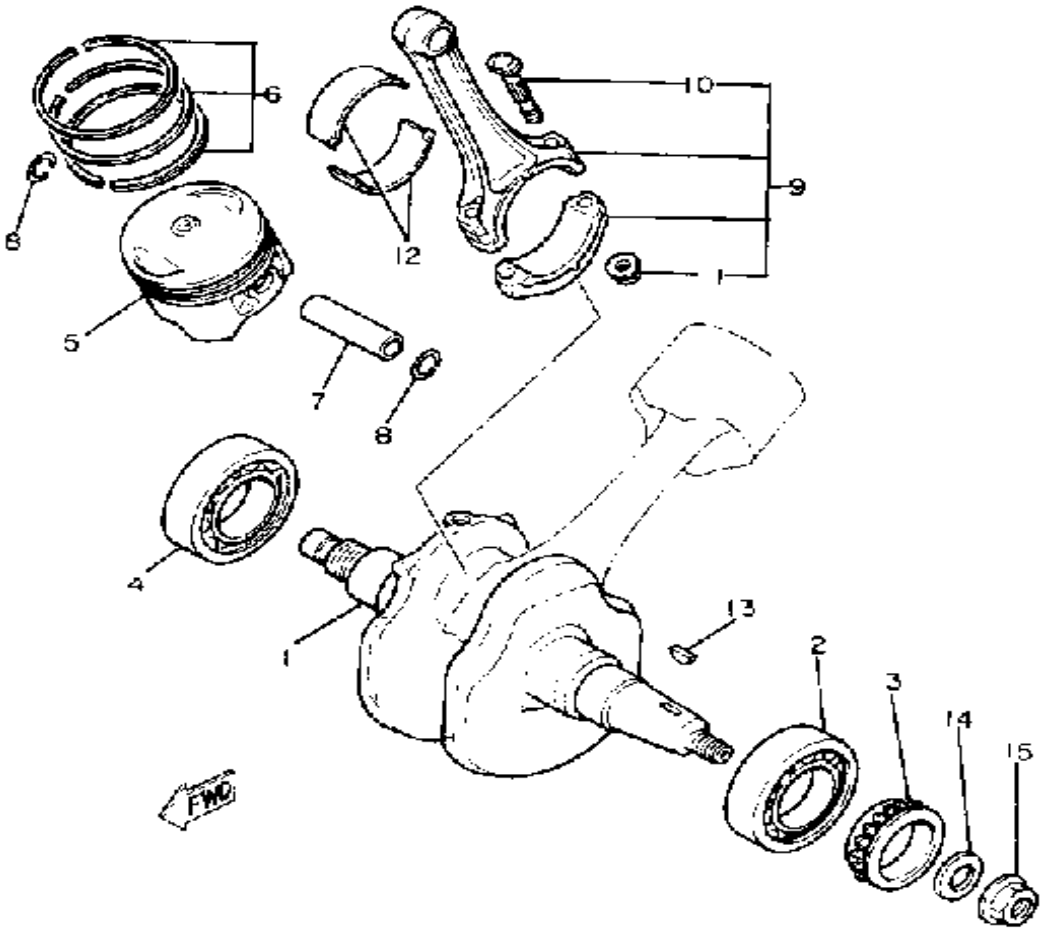
Ref. No.	Part Number	Description	Qty	Remarks
29	4X7-1111F-00-00	PLATE	2	
30	97313-08020-00	BOLT, HEXAGON	2	
31	90401-16065-00	BOLT, UNION	2	
32	90430-17168-00	GASKET	2	
33	NGK-BP7ES-00-00	PLUG, SPARK (NGK BP-7ES) .	2	

CYLINDER



Ref. No.	Part Number	Description	Qty	Remarks
1	(4X7-11310-00-00)	CYLINDER	2	
2	93210-89447-00	O-RING	2	
3	4X7-11161-00-00	ABSORBER 1	4	
4	90387-087A5-00	COLLAR	4	
5	91311-06040-00	BOLT	6	
6	3JL-11351-00-00	GASKET, CYLINDER	2	
7	4X7-12215-00-00	CAP, TENSIONER CASE	2	
8	4DW-12213-00-00	GASKET, TENSIONER CASE ..	2	
9	91311-06025-00	BOLT, SOCKET HEAD	4	

CRANKSHAFT-PISTON



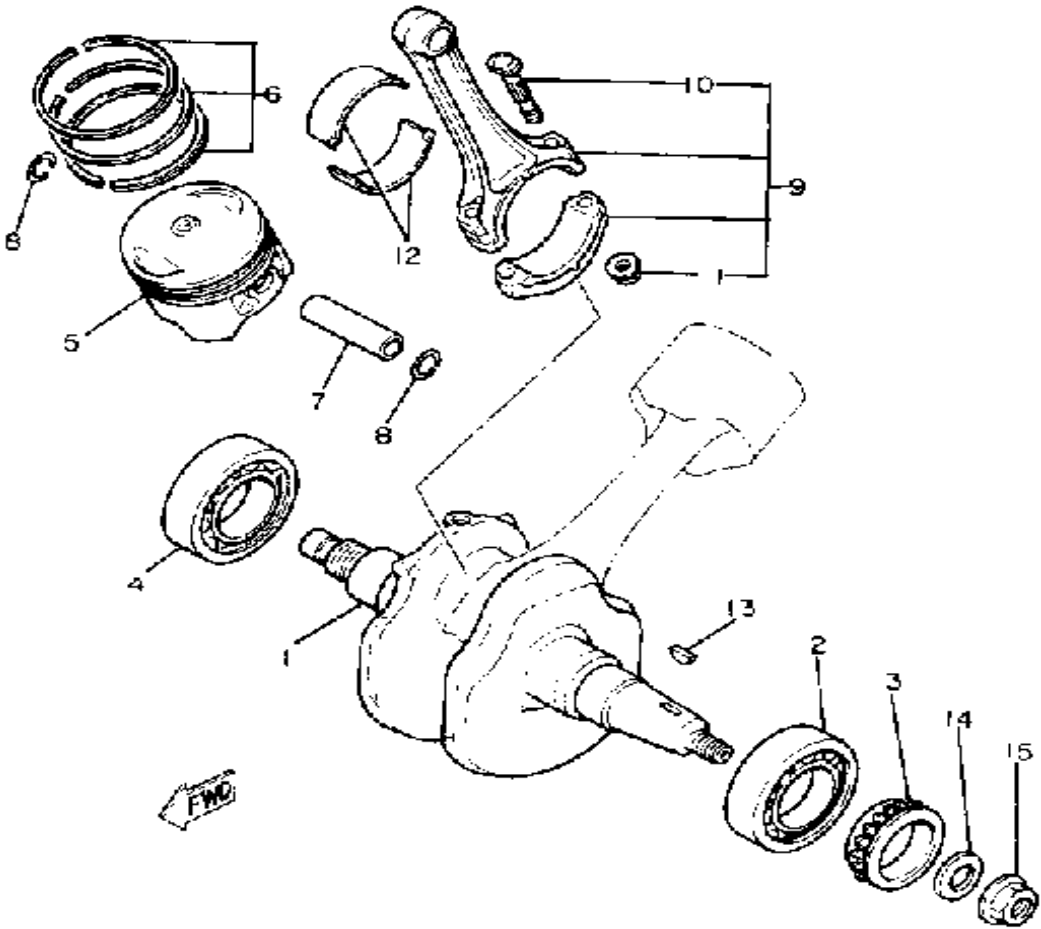
CONNECTING ROD BEARING SELECTION
Housing No. - Shaft No. = Bearing No.

BEARING No	PART No.	COLOUR
BEARING 1	4X7-11656-00	BLUE
BEARING 2	4X7-11656-10	BLACK
BEARING 3	4X7-11656-20	BROWN
BEARING 4	4X7-11656-30	GREEN
BEARING 5	4X7-11656-40	YELLOW

Ref. No.	Part Number	Description	Qty	Remarks
1	4X7-11411-02-00	CRANKSHAFT	1	
2	93306-30804-00	BEARING	1	X7-0001015 015130
	93306-30808-00	BEARING (3EF)	1	4X7-0151315
3	4X7-13354-00-00	SPROCKET, DRIVE	1	
4	93306-30805-00	BEARING	1	4X7-0001015 015130
	93306-30808-00	BEARING (3EF)	1	4X7-0151315
5	(4X7-11637-00-00)	PISTON 3 O/S 0.5	2	ALT. PART
	4X7-11631-00-A0	PISTON STD (STD)	2	
	4X7-11635-00-00	PISTON 1 O/S 0.25 (1ST O/S 0.25MM)	2	ALT. PART
	4X7-11636-00-00	PISTON 2 O/S 0.50 (2ND O/S 0.50MM)	2	ALT. PART
	4X7-11638-00-00	INACTIVE PART NUMBER (4TH O/S 1.00MM)	2	ALT. PART
6	(4X7-11610-32-00)	PISTON RINGSET 3RD	2	ALT. PART
	(4X7-11610-42-00)	PISTON RINGSET 4TH	2	ALT. PART
	4X7-11610-02-00	PISTON RINGSET STD (STD) (4X7-11610-01)	2	
	4X7-11610-12-00	PISTON RINGSET 1ST (1ST O/S) (4X7-11610-11)	2	ALT. PART
	4X7-11610-22-00	PISTON RINGSET 2ND (2ND O/S) (4X7-11610-21)	2	ALT. PART
7	4X7-11633-00-00	PIN, PISTON	2	
8	93450-22027-00	CIRCLIP	4	
9	4X7-11650-00-00	CONNECTING ROD ASSEMBLY	2	
10	4X7-11654-01-00	. BOLT, CON ROD	2	
11	90179-09379-00	. NUT, SPEC'L SHAPE	2	
12	4X7-11656-00-00	PLANE BRNG, CON ROD	4	U.R.äBLUE
	4X7-11656-10-00	PLANE BRNG, CON ROD	4	U.R.äBLACK
	4X7-11656-20-00	PLANE BRNG, CON ROD	4	U.R.äBROWN
	4X7-11656-30-00	PLANE BRNG, CON ROD	4	U.R.äGREEN

CONTINUED ON NEXT FRAME ➤

CRANKSHAFT-PISTON



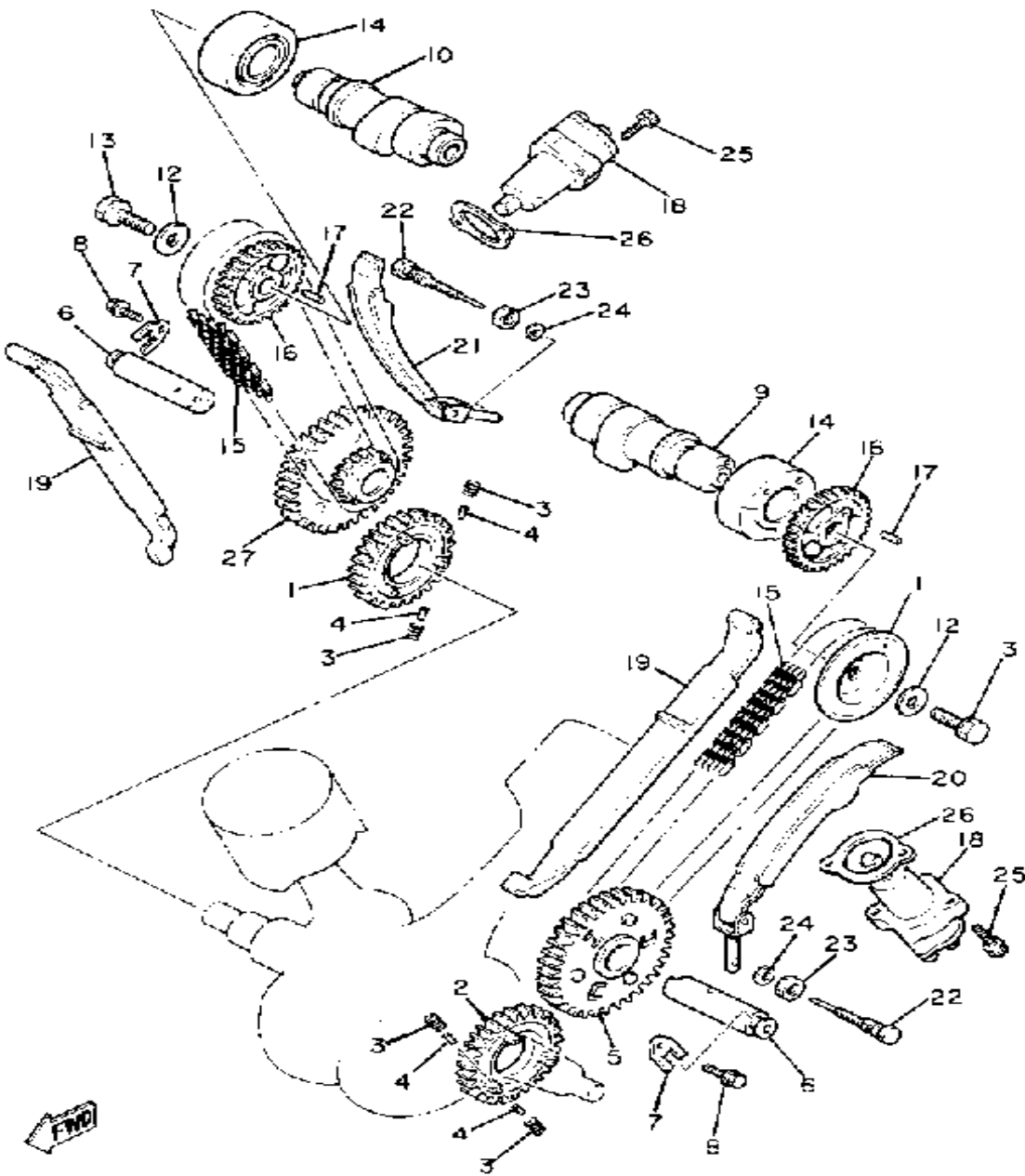
Ref. No.	Part Number	Description	Qty	Remarks
12	4X7-11656-40-00	PLANE BRNG, CON ROD	4	U.R.äYELLOW
13	90280-16053-00	KEY, WOODRUFF	1	
14	90201-140A6-00	WASHER, PLATE	1	
15	90179-14317-00	NUT, SPEC'L SHAPE	1	

CONNECTING ROD BEARING SELECTION

Housing No. - Shaft No. = Bearing No.

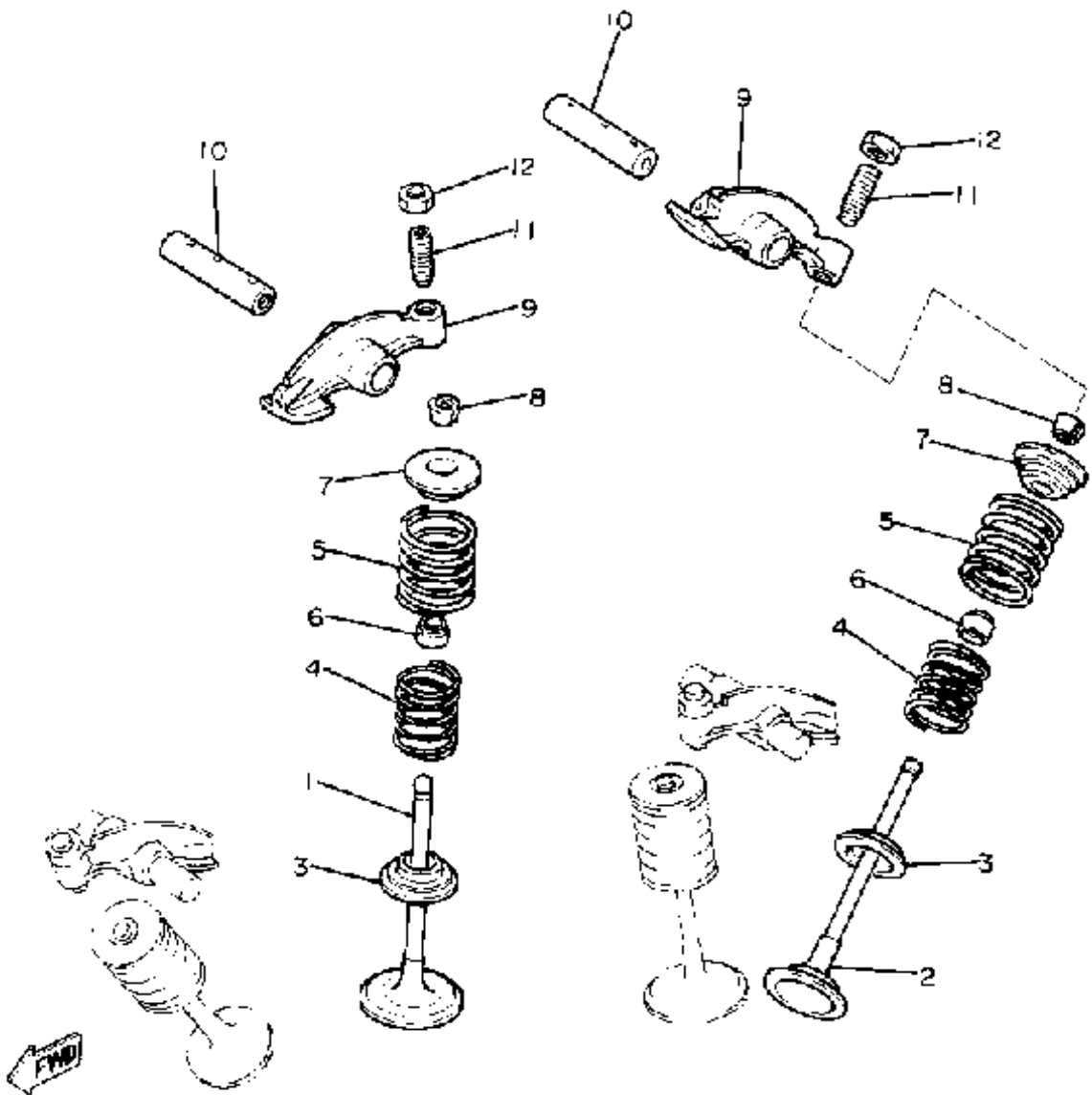
BEARING No	PART No.	COLOUR
BEARING 1	4X7-11656-00	BLUE
BEARING 2	4X7-11656-10	BLACK
BEARING 3	4X7-11656-20	BROWN
BEARING 4	4X7-11656-30	GREEN
BEARING 5	4X7-11656-40	YELLOW

CAMSHAFT-CHAIN



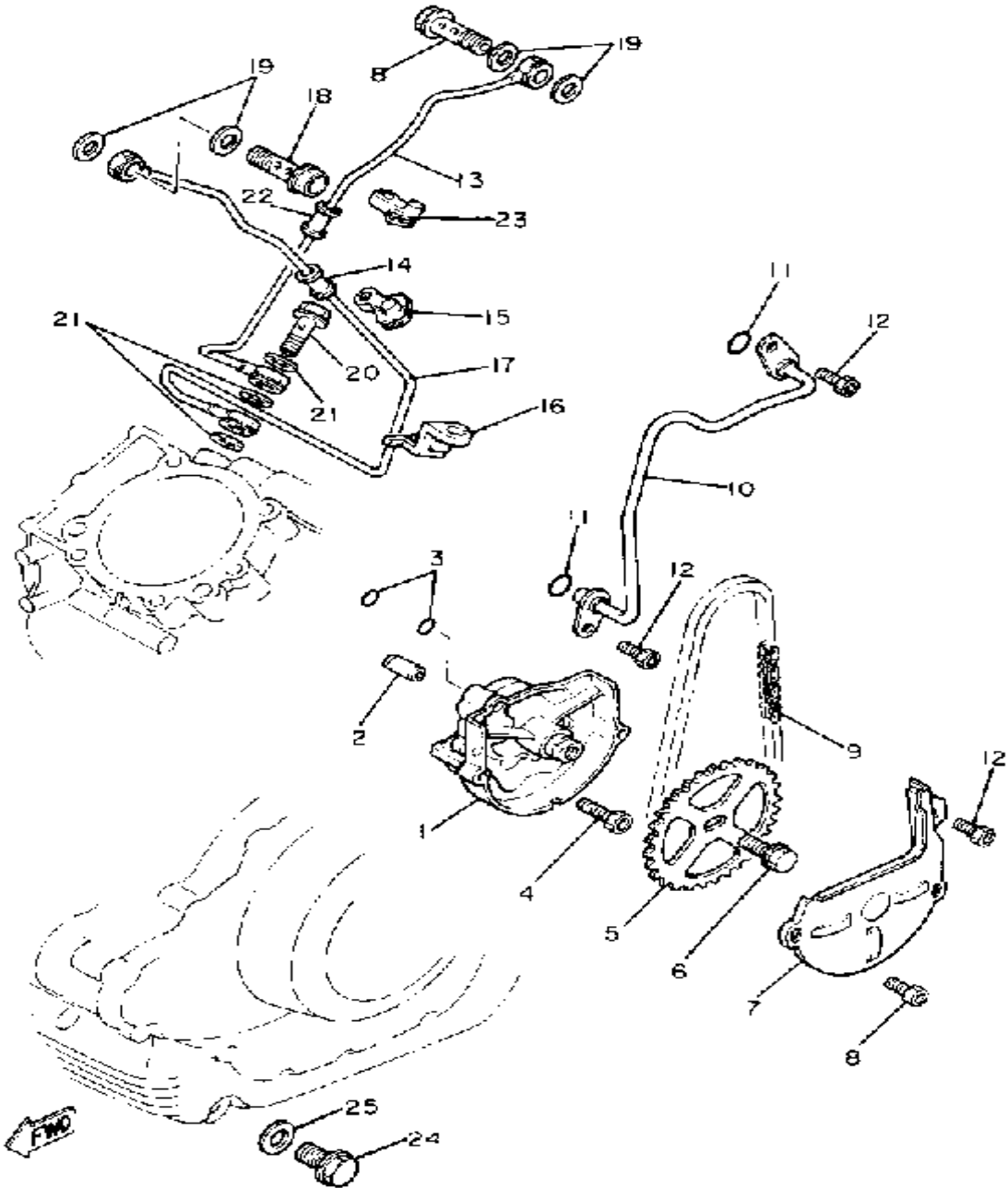
Ref. No.	Part Number	Description	Qty	Remarks
1	4X7-11536-00-00	GEAR, DRIVE (35T)	1	
2	4X7-11534-00-00	GEAR, BREAKER DRIVE	1	
3	90501-21133-00	SPRING, COMPRESSION	12	
4	93605-10090-00	PIN, DOWEL	12	
5	4X7-11540-01-00	CM CHN SPRKT ASSEMBLY 1 (20/50T)	1	
6	4X7-12247-01-00	SHAFT, TENSIONER	2	
7	90209-06205-00	WASHER, SPEC'L SHAP	2	
8	90105-06154-00	BOLT, WASHER BASED	2	
9	4X7-12171-01-00	CAMSHAFT 1 (4X7-12171-00)	1	
10	4X7-12181-01-00	CAMSHAFT 2 (4X7-12181-00)	1	
11	4X7-11145-00-00	PLATE, BREATHER 2	1	
12	90201-10774-00	WASHER, PLATE	2	
13	90101-10303-00	BOLT	2	
14	90380-25125-00	BUSH, SOLID	2	
15	94590-45098-00	CHAIN, CAM	2	
16	4X7-12176-00-00	SPROCKET, CAM CHAIN	2	
17	93604-10011-00	PIN, DOWEL	2	
18	4X7-12210-01-00	TENSNR ASSEMBLY, CAM CHN	2	
19	4X7-12231-00-00	GUIDE, STOPPER 1	2	
20	4X7-12241-00-00	GUIDE, STOPPER 2	1	
21	4X7-12221-00-00	GUIDE, STOPPER 3	1	
22	90109-08592-00	BOLT	2	
23	95303-08700-00	NUT	2	
24	92901-06600-00	WASHER	2	
25	91311-06025-00	BOLT, SOCKET HEAD	4	
26	4DW-12213-00-00	GASKET, TENSIONER CASE	2	
27	4X7-11550-00-00	CAM CHAIN SPRKT 2 (20/50T)	1	

VALVE



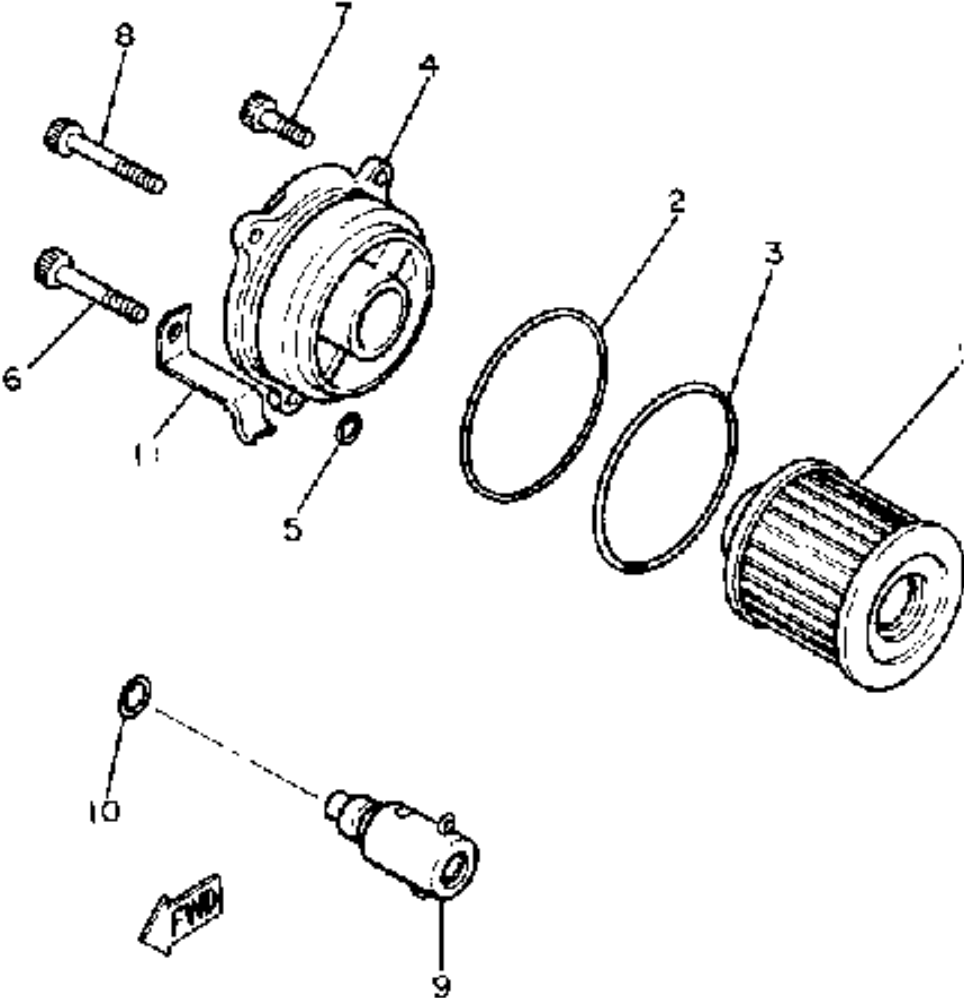
Ref. No.	Part Number	Description	Qty	Remarks
1	4X7-12111-00-00	VALVE, INTAKE	2	
2	4X7-12121-00-00	VALVE, EXHAUST	2	
3	4X7-12116-00-00	SEAT, VALVE SPRING	4	
4	90501-31454-00	SPRING, COMPRESSION	4	
5	90501-44455-00	SPRING, COMPRESSION	4	
6	341-12119-02-00	SEAL, VALVE STEM	4	
7	4X7-12117-00-00	RETAINER, VALVE SPR	4	
8	4X7-12118-00-00	COTTER, VALVE	8	
9	42X-12151-00-00	ARM, VALVE ROCKER (4X7-12151-00)	4	
10	4X7-12156-01-00	SHAFT, ROCKER	4	
11	4X7-12159-00-00	SCREW, VALVE ADJUSTING ..	4	
12	90170-08173-00	NUT, HEXAGON	4	

OIL PUMP



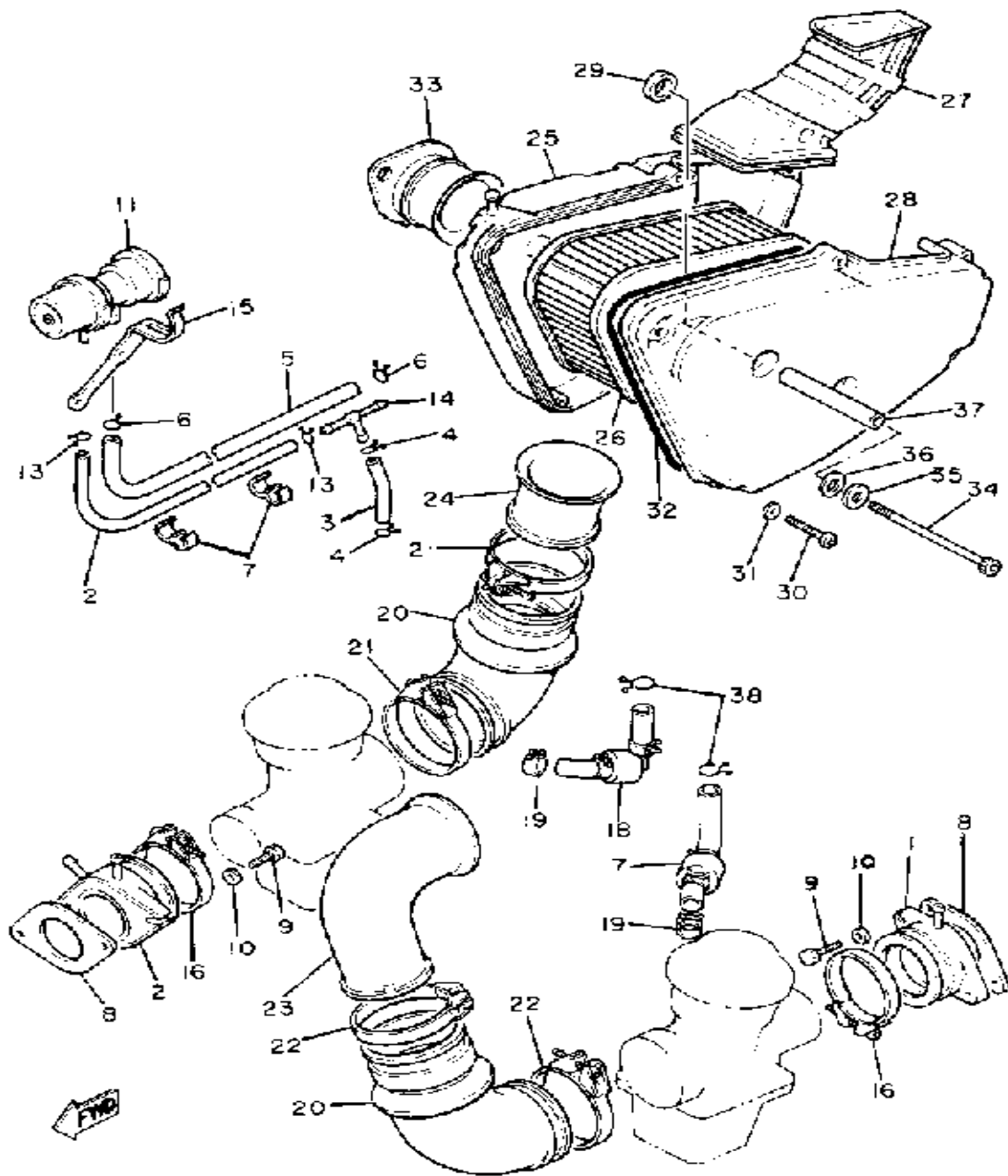
Ref. No.	Part Number	Description	Qty	Remarks
1	10L-13300-00-00	OIL PUMP ASSEMBLY	1	
2	99510-08016-00	PIN, DOWEL	1	
3	93210-07438-00	O-RING	2	
4	91316-06040-00	BOLT, SOCKET HEAD	3	
5	4X7-13355-00-00	SPROCKET, DRIVEN	1	
6	90105-06154-00	BOLT, WASHER BASED	1	
7	(4X7-13327-00-00)	COVER, PUMP GEAR	1	
8	91316-06010-00	BOLT, SOCKET HEAD	2	
9	94580-25066-00	CHAIN 4 7	1	
10	4X7-13171-00-00	PIPE, DELIVERY 2	1	
11	93210-07438-00	O-RING	2	
12	91316-06010-00	BOLT, SOCKET HEAD	3	
13	4X7-13405-00-00	OIL PIPE CMLPT 1	1	
14	4X7-15485-01-00	CLAMP	1	
15	4X7-15485-01-00	CLAMP	1	
16	4X7-15484-00-00	CLAMP 2	1	
17	4X7-13406-00-00	OIL PIPE CMLPT 2	1	
18	90401-16067-00	BOLT, UNION	2	
19	90430-17168-00	GASKET	4	
20	90401-10102-00	BOLT, UNION	1	
21	90430-15169-00	GASKET	3	
22	4X7-15485-01-00	CLAMP	1	
23	4X7-15485-01-00	CLAMP	1	
24	90340-14118-00	PLUG, STRAIGHT	1	
25	214-11198-01-00	GASKET	1	

OIL FILTER



Ref. No.	Part Number	Description	Qty	Remarks
1	4X7-13440-90-00	ELMNT ASSEMBLY, OIL CLNR	1	
2	93210-58346-00	O-RING	1	
3	93210-54452-00	O-RING	1	
4	4X7-13447-01-00	COVER, OIL ELEMENT	1	
5	93210-07438-00	O-RING	1	
6	90109-06511-00	BOLT	1	
7	91311-06020-00	BOLT, SOCKET HEAD	1	
8	91311-06050-00	BOLT, SOCKET HEAD	1	
9	11H-13490-00-00	RELIEF VALVE ASSEMBLY	1	
10	93210-10096-00	O-RING	1	
11	90462-10098-00	CLAMP	1	

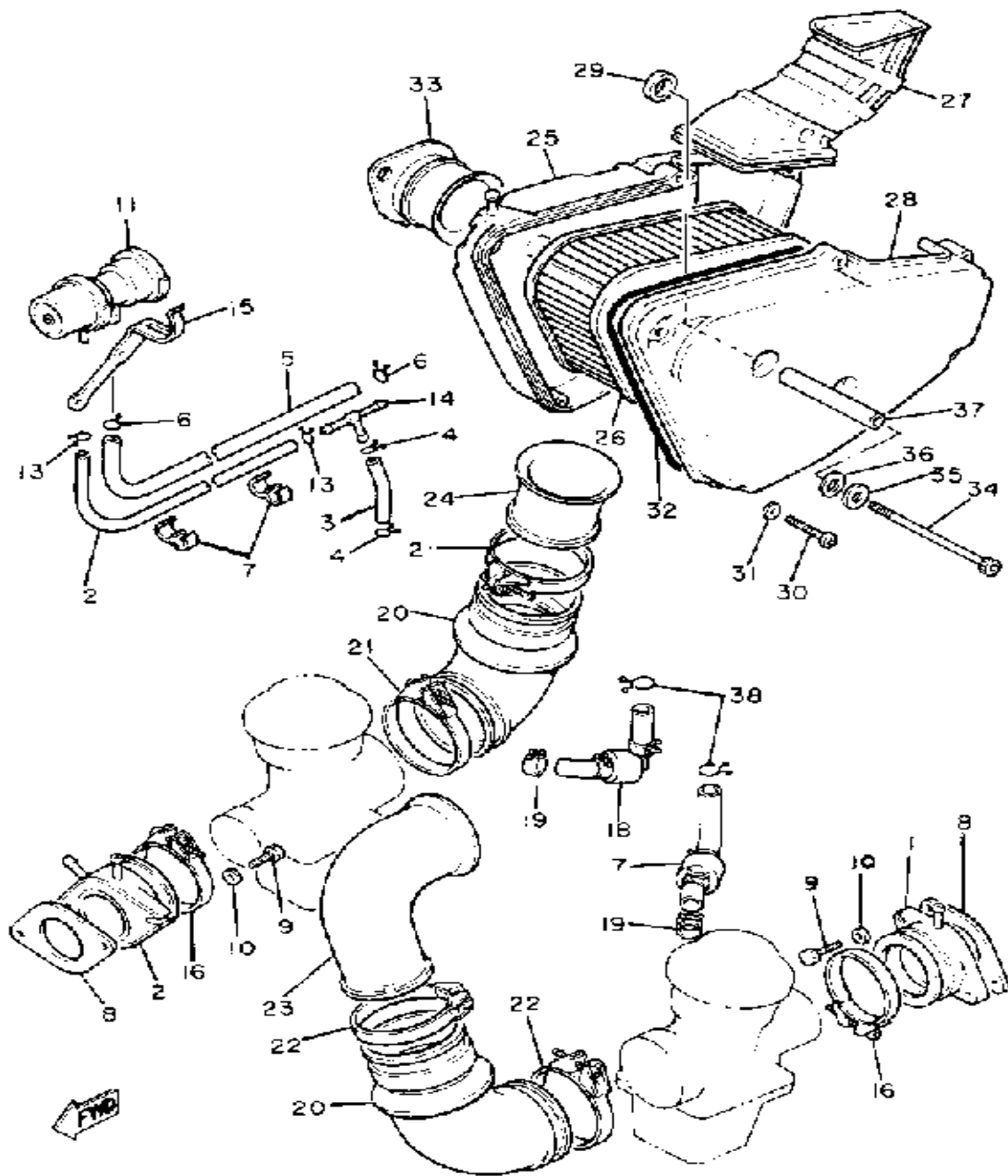
AIR FILTER



Ref. No.	Part Number	Description	Qty	Remarks
1	10L-13586-01-00	. JOINT, CARBURETOR 1	1	
	90460-59213-00	. CLAMP, HOSE	1	
	93210-44545-00	. O-RING	1	
	99999-01416-00	JOINT, CARB (LH-4X7) (10L-13586-00)	1	
2	10L-13596-01-00	. JOINT, CARBURETOR 2	1	
	90460-59213-00	. CLAMP, HOSE	1	
	93210-44545-00	. O-RING	1	
	99999-01417-00	JOINT, CARB (RH-4X7) (10L-13596-00)	1	
3	4X7-13544-00-00	HOSE, VAC SENSING 2	1	
4	90467-08003-00	CLIP	2	
5	4X7-13543-01-00	HOSE, AIR	1	
6	90467-10008-00	CLIP	2	
7	90468-02111-00	CLIP	2	
8	4X7-13556-00-00	GASKET, MANIFOLD	2	
9	97011-06020-00	BOLT	4	
10	92901-06600-00	WASHER	4	
11	4X7-13541-00-00	VALVE, MIX CONTROL	1	
12	4X7-13542-00-00	HOSE, VAC SENSING 1	1	
13	90467-07029-00	CLIP	2	
14	4X7-13595-00-00	JOINT, CARBURETOR	1	
15	90462-08092-00	CLAMP	1	
16	90460-60165-00	CLAMP, HOSE	2	
17	4X7-14197-02-00	PIPE, AIRVENT	1	
18	4X7-14987-02-00	HOSE	1	
19	90467-15054-00	CLIP	2	
20	4X7-14453-01-00	JOINT, AIR CLNR 1	2	
21	90460-65195-00	CLAMP, HOSE	2	

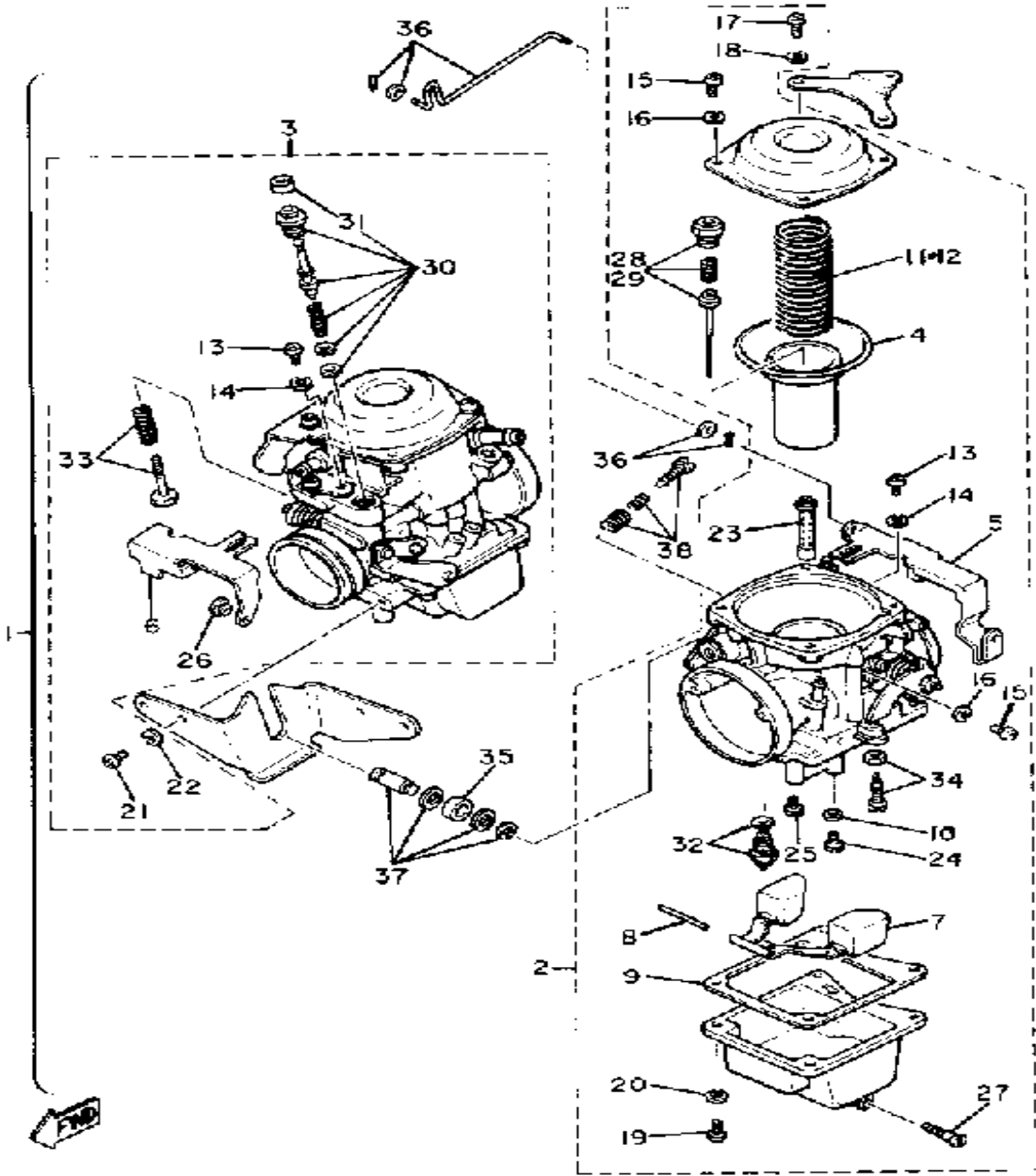
CONTINUED ON NEXT FRAME ►

AIR FILTER



Ref. No.	Part Number	Description	Qty	Remarks
22	90460-65195-00	CLAMP, HOSE	2	
23	4X7-14469-00-00	FUNNEL, AIR	1	
24	4X7-14479-00-00	FUNNEL	1	
25	4X7-14401-00-00	AIR CLNR CASE ASSEMBLY .	1	
26	4X7-14451-00-00	ELEMENT, AIR CLNR	1	
27	4X7-14437-00-00	DUCT	1	
28	4X7-14422-00-00	CAP, CLEANER CASE 2	1	
29	4X7-14457-00-00	SEAL	2	
30	98501-05030-00	SCREW, PAN HEAD	5	
31	92901-05600-00	WASHER, PLATE	5	
32	1VJ-14462-00-00	SEAL	1	
33	4X7-1441J-00-00	PIPE, SILENCER	1	
34	91311-06100-00	BOLT, SOCKET HEAD	2	
35	90201-06M02-00	WASHER, PLATE	2	
36	90202-10120-00	WASHER, PLATE	2	
37	90560-06203-00	SPACER	2	
38	90467-14015-00	CLIP	2	

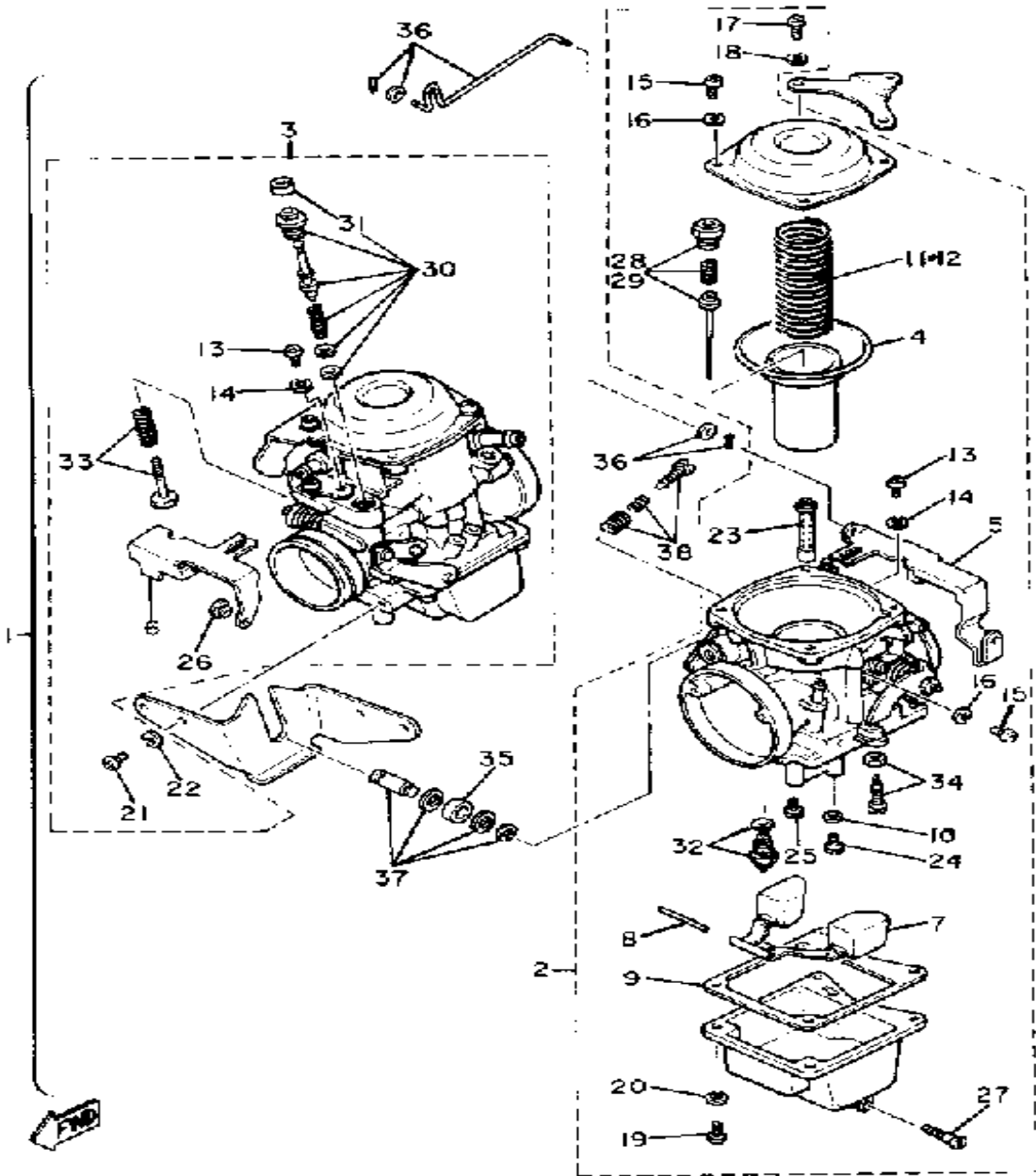
CARBURETOR



Ref. No.	Part Number	Description	Qty	Remarks
1	(4X7-14900-01-00)	UNAVAILABLE IN PRICE BOOK	1	N/A
2	4X7-14901-01-00	.. CARBURETOR ASSEMBLY 1	1	
3	4X7-14902-00-00	.. CARBURETOR ASSEMBLY 2	1	
4	4X7-14940-01-00	.. DIAPHRAGM ASSEMBLY ..	2	
5	(4X7-14975-00-00)	LEVER, STARTER 1	1	
6	4X7-14976-00-00	.. LEVER, STARTER 2	1	
7	10L-14985-01-00	.. FLOAT	2	
8	4H7-14186-00-00	.. PIN, FLOAT	2	
9	4X7-14984-01-00	.. GASKET, FLOAT CHMBR ..	2	
10	4H7-14945-00-00	.. WASHER, MAIN JET	2	
11	(4X7-14933-00-00)	SPRING, DIAPHRAGM	1	
12	4X7-14933-10-00	.. SPRING, DIAPHRAGM	1	
13	98580-04008-00	.. SCREW, PAN HEAD	4	
14	92901-04100-00	.. WASHER, SPRING	4	
15	98580-05010-00	.. SCREW, PAN HEAD	5	
16	92990-05100-00	.. WASHER, SPRING	5	
17	98580-05012-00	.. SCREW, PAN HEAD	4	
18	92990-05100-00	.. WASHER, SPRING	4	
19	98580-05016-00	.. SCREW, PAN HEAD	8	
20	92990-05100-00	.. WASHER, SPRING	8	
21	98503-06014-00	.. SCREW, PAN HEAD (92502-06016)	4	
22	92995-06100-00	.. WASHER, SPRING	4	
23	4X7-14921-07-00	.. NOZZLE, MAIN	2	
24	4X7-14925-22-00	.. JET, MAIN (#122)	2	
25	4X7-14948-41-00	.. JET	2	
26	(4X7-14998-00-00)	BUSH	2	
27	4X7-14191-01-00	.. PLUG, DRAIN	2	
28	4X7-14916-23-00	.. NEEDLE	1	

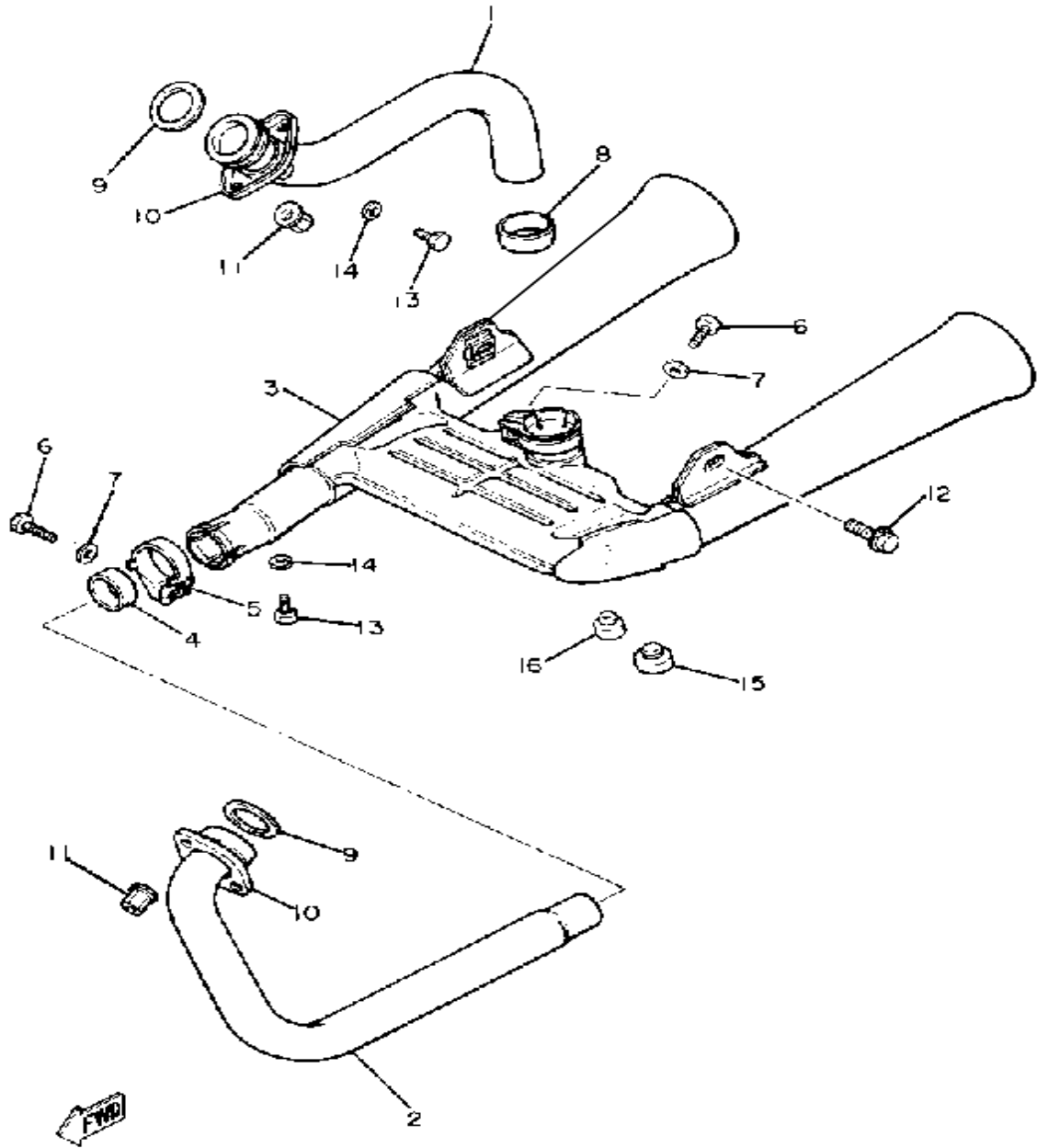
CONTINUED ON NEXT FRAME ►

CARBURETOR



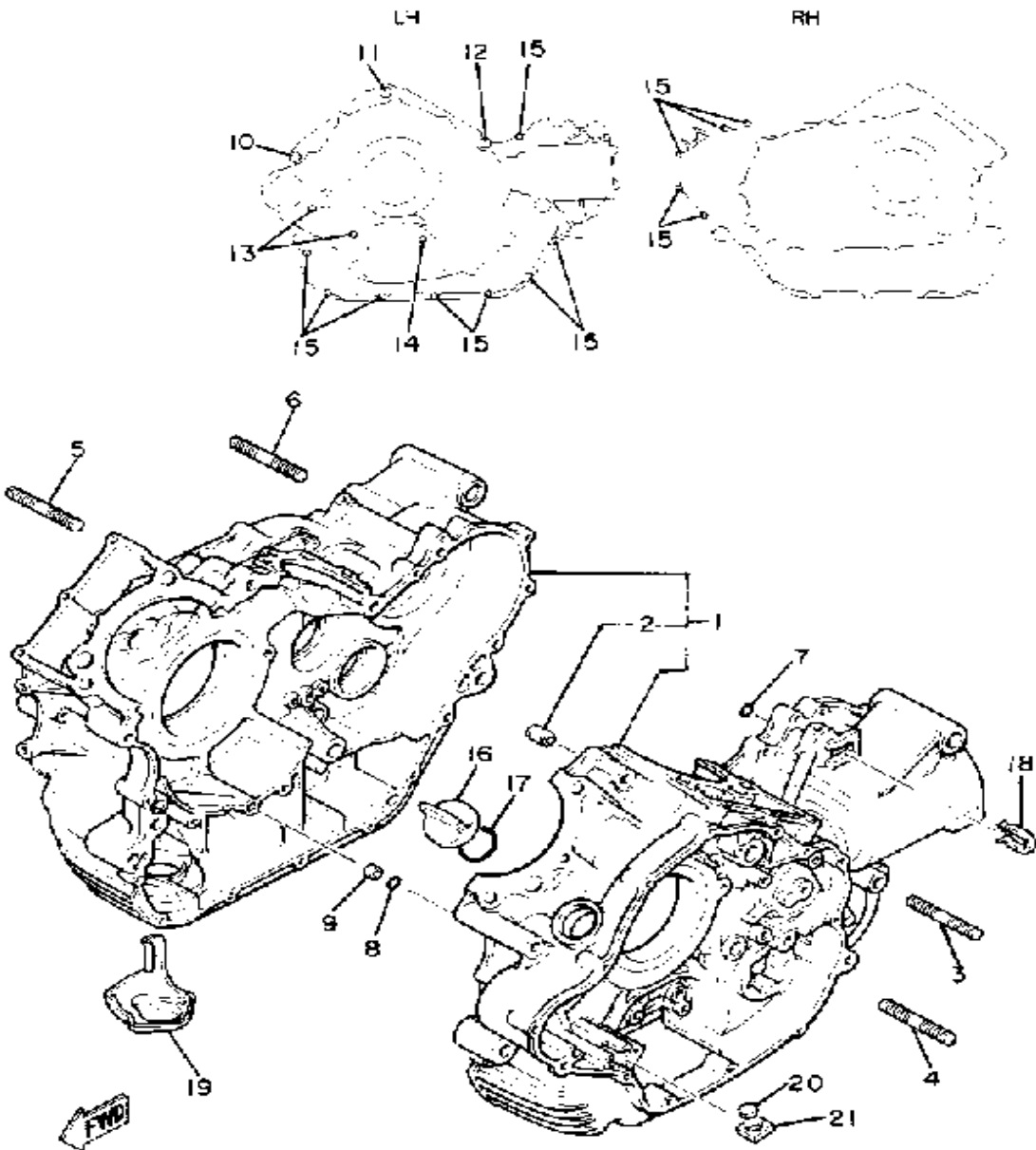
Ref. No.	Part Number	Description	Qty	Remarks
29	4X7-14916-22-00	.. NEEDLE	1	
30	4X7-14371-01-00	.. PLUNGER, STARTER	2	
31	4H7-14173-00-00	.. COVER, PLUNGER CAP ...	2	
32	10L-14390-02-00	.. NEEDLE VALVE ASSEMBLY (4X7-14390-00)	2	
33	4X7-14121-01-00	.. SCREW, THRTL STOPSPRING 1	1	
34	4X7-14321-01-00	.. SCREW, THROTTLE	1	
35	4X7-14267-00-00	.. ROLLER	1	
36	4X7-14188-00-00	.. CONNECTOR	1	
37	4X7-14962-00-00	.. WASHER	1	
38	4X7-14522-01-00	.. SCREW, ADJUST	1	

EXHAUST



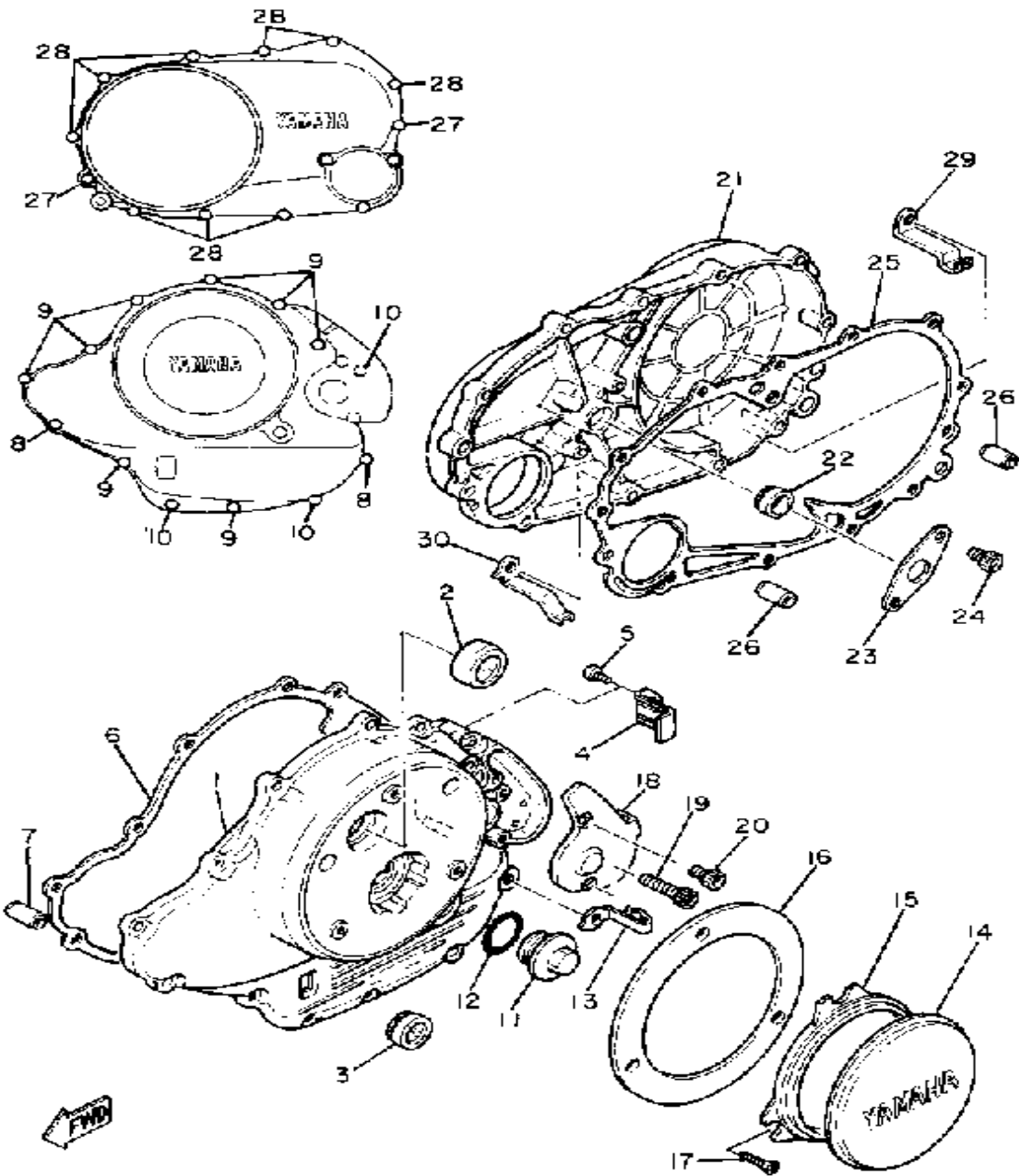
Ref. No.	Part Number	Description	Qty	Remarks
1	4X7-14611-01-00	PIPE, EXHAUST L	1	
2	4X7-14621-00-00	PIPE, EXHAUST R	1	
3	4X7-14711-01-00	MUFFLER L	1	
4	1J7-14714-00-00	GASKET, MUFFLER	1	
5	26H-14796-00-00	BAND, silencer 4	1	
6	97013-08025-00	BOLT	2	
7	92901-08600-00	WASHER	2	
8	4X7-14714-00-00	GASKET, MUFFLER	1	
9	3EG-14613-00-00	GASKET, EXHAUST PIPE	2	
10	4X7-14612-00-00	NUT, RING	2	
11	90179-08210-00	NUT, SPEC'L SHAPE	4	
12	95811-10035-00	BOLT, FLANGE	2	
13	97013-06012-00	BOLT	2	
14	92990-06600-00	WASHER, PLATE	2	
15	1A0-27114-00-00	STOPPER, MAIN STAND	1	
16	341-27314-02-00	STOPPER	1	

CRANKCASE



Ref. No.	Part Number	Description	Qty	Remarks
1	4X7-15100-04-00	CRANKCASE ASSEMBLY	1	130
	4X7-15100-04-00	CRANKCASE ASSEMBLY	1	4X7-0151315
2	99530-14016-00	PIN, DOWEL	3	
3	(95611-10660-00)	BOLT, STUD	1	
4	95611-10630-00	BOLT, STUD	1	
5	95611-10690-00	BOLT, STUD	1	
6	(95611-10635-00)	BOLT, STUD	1	
7	93210-07438-00	O-RING	1	
8	93210-07438-00	O-RING	1	
9	90387-064E8-00	COLLAR	1	
10	91311-10100-00	BOLT, SOCKET HEAD	1	
11	91311-10070-00	BOLT, SOCKET HEAD	1	
12	91311-10060-00	BOLT, SOCKET HEAD	1	
13	91311-06080-00	BOLT, SOCKET HEAD	2	
14	91311-06055-00	BOLT, SOCKET HEAD	1	
15	91311-06030-00	BOLT, SOCKET HEAD	12	
16	4X7-15363-00-00	PLUG, OIL	1	
17	93210-29198-00	O-RING	1	
18	90465-10168-00	CLAMP	1	
19	4X7-15491-00-00	PROTECTOR	1	
20	4X7-13419-00-00	PLUG	1	
21	90480-20302-00	GROMMET	1	

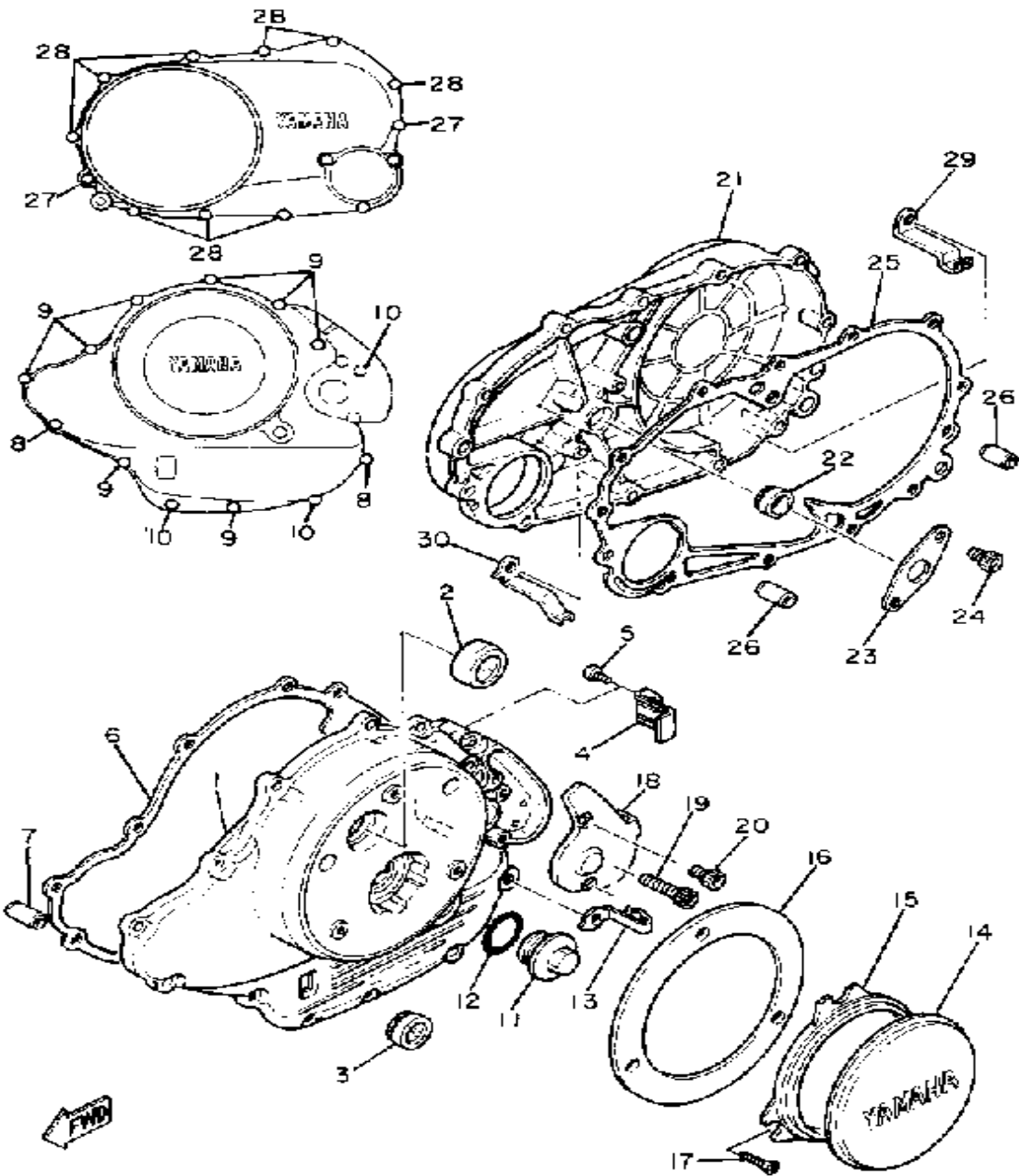
CRANKCASE COVER



Ref. No.	Part Number	Description	Qty	Remarks
1	4X7-15411-02-00	COVER, CRANKCASE L (4X7-15411-00)	1	
2	4X7-15361-00-00	GAUGE, LEVEL	1	
3	2H7-15361-00-00	GAUGE, LEVEL	1	
4	90462-08073-00	CLAMP	1	
5	98580-06010-00	SCREW, PAN HEAD (92503-06010)	1	
6	3EG-15451-00-00	GASKET, CRCS COVER	1	
7	99530-10014-00	PIN, DOWEL	2	
8	91311-06040-00	BOLT	2	
9	91311-06030-00	BOLT, SOCKET HEAD	8	
10	91311-06020-00	BOLT, SOCKET HEAD	3	
11	1L9-11186-00-00	COVER, CYLINDER HEAD SIDE 2	1	
12	93210-32172-00	O-RING	1	
13	90462-08076-00	CLAMP	1	
14	4X7-15415-00-00	COVER, GENERATOR	1	
15	4X7-15455-00-00	GASKET 1	1	
16	42X-15425-01-00	COVER, GENERATOR R (4X7-15425-00)	1	
17	98780-06016-00	SCREW, FLAT HEAD (92603-06016)	3	
18	4X7-15417-00-00	COVER, CAP	1	
19	91311-06055-00	BOLT, SOCKET HEAD	1	
20	91311-06016-00	BOLT, SOCKET HEAD	1	
21	4X7-15421-01-00	COVER, CRANKCASE R	1	
22	93101-14102-00	OIL SEAL, S-TYPE	1	
23	4X7-15388-00-00	PLATE, BRNG COVER	1	
24	91316-06016-00	BOLT, SOCKET HEAD	2	
25	3EG-15462-00-00	GASKET, CRCS CVR 3	1	

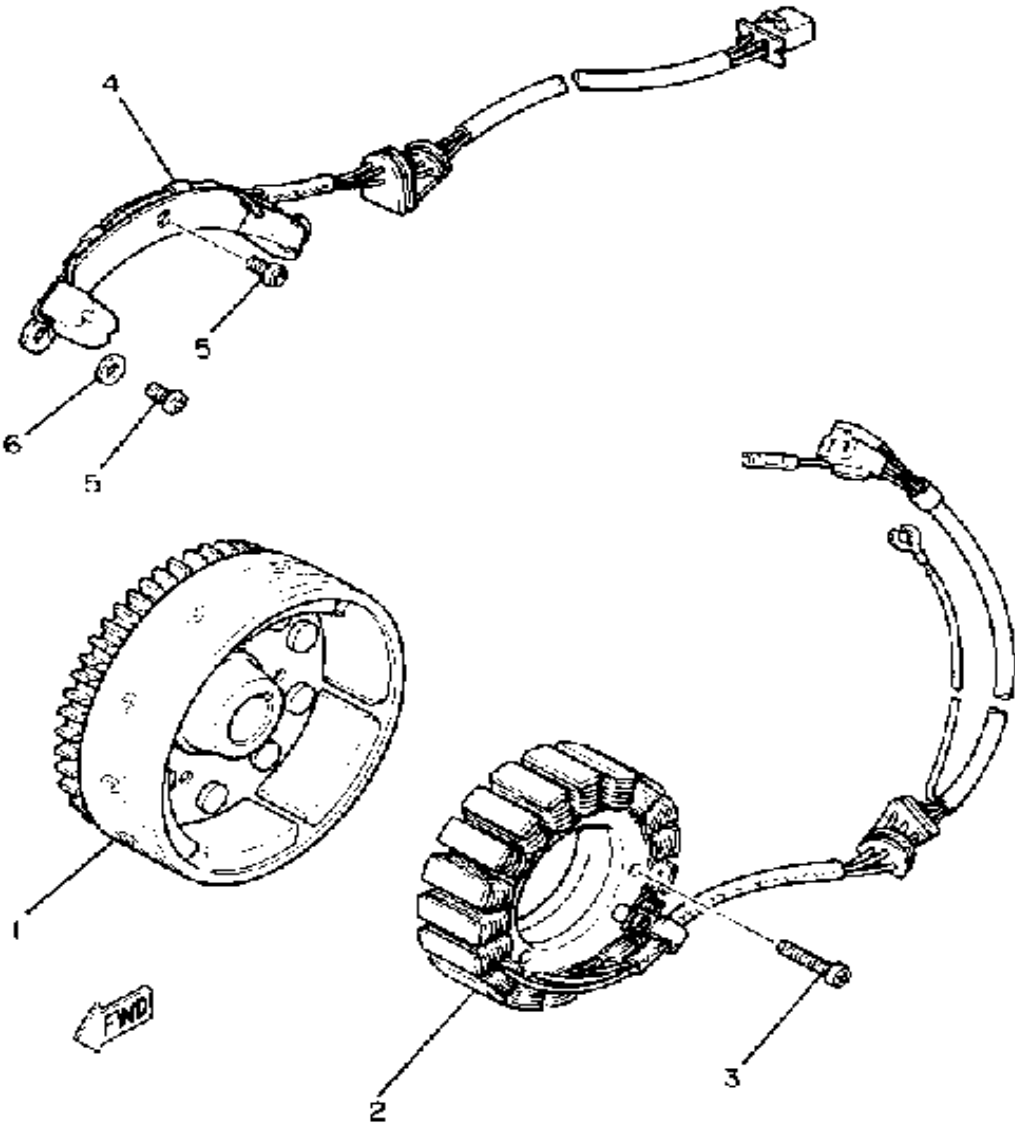
CONTINUED ON NEXT FRAME ➤

CRANKCASE COVER



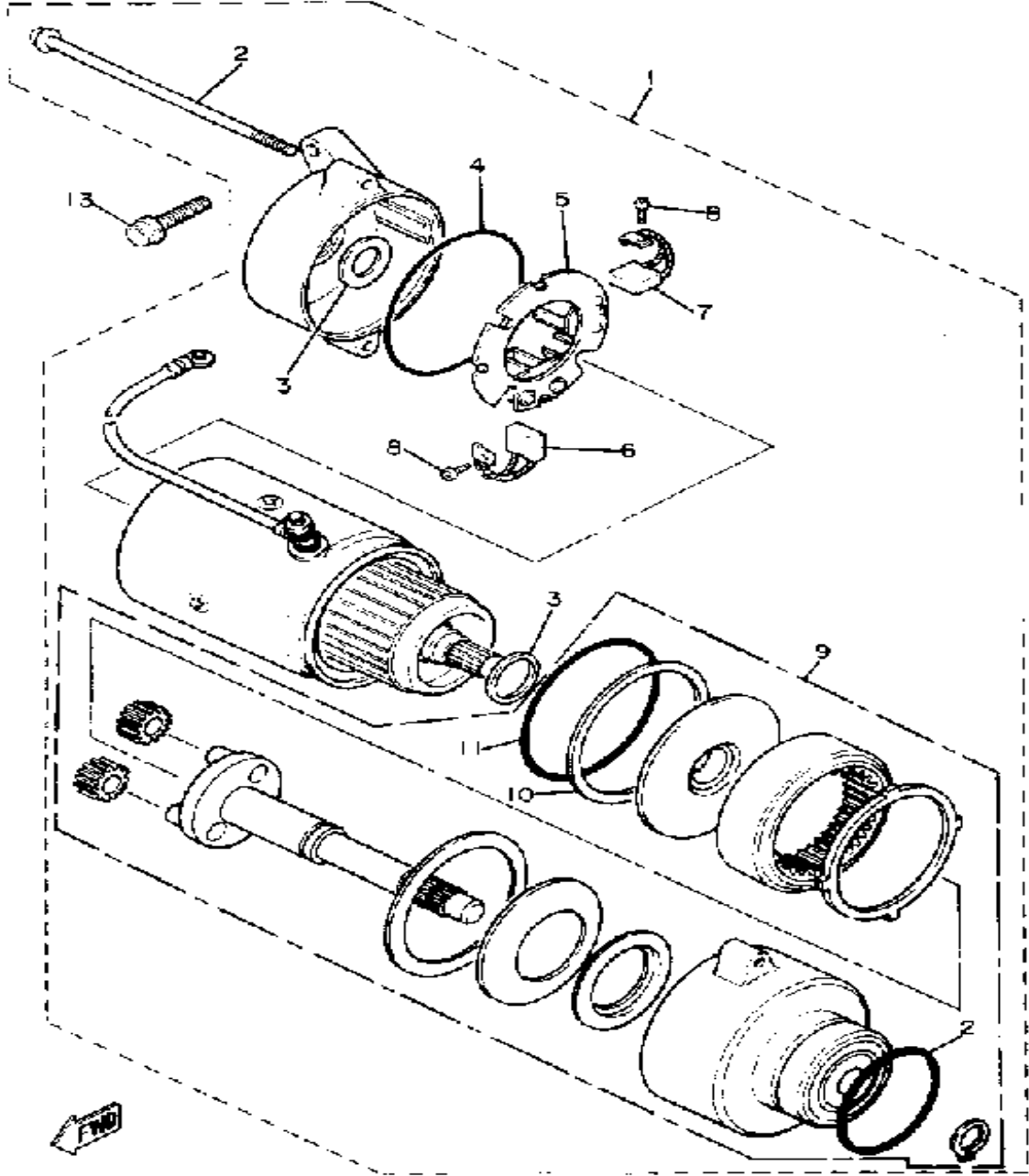
Ref. No.	Part Number	Description	Qty	Remarks
26	99530-10014-00	PIN, DOWEL	2	
27	91311-06035-00	BOLT, SOCKET HEAD	2	
28	91311-06025-00	BOLT, SOCKET HEAD	9	
29	90462-08075-00	CLAMP	1	
30	90462-10085-00	CLAMP	2	

GENERATOR



Ref. No.	Part Number	Description	Qty	Remarks
1	4X7-81450-21-00	ROTOR ASSEMBLY	1	
2	4X7-81410-20-00	STATOR ASSEMBLY	1	
3	98580-06040-00	SCREW, pan head (92501-06040-00)	3	
4	4X7-81670-20-00	PICK-UP ASSEMBLY	1	
5	98503-06014-00	SCREW, PAN HEAD (92502-06016)	3	
6	90201-06643-00	WASHER, PLATE	2	

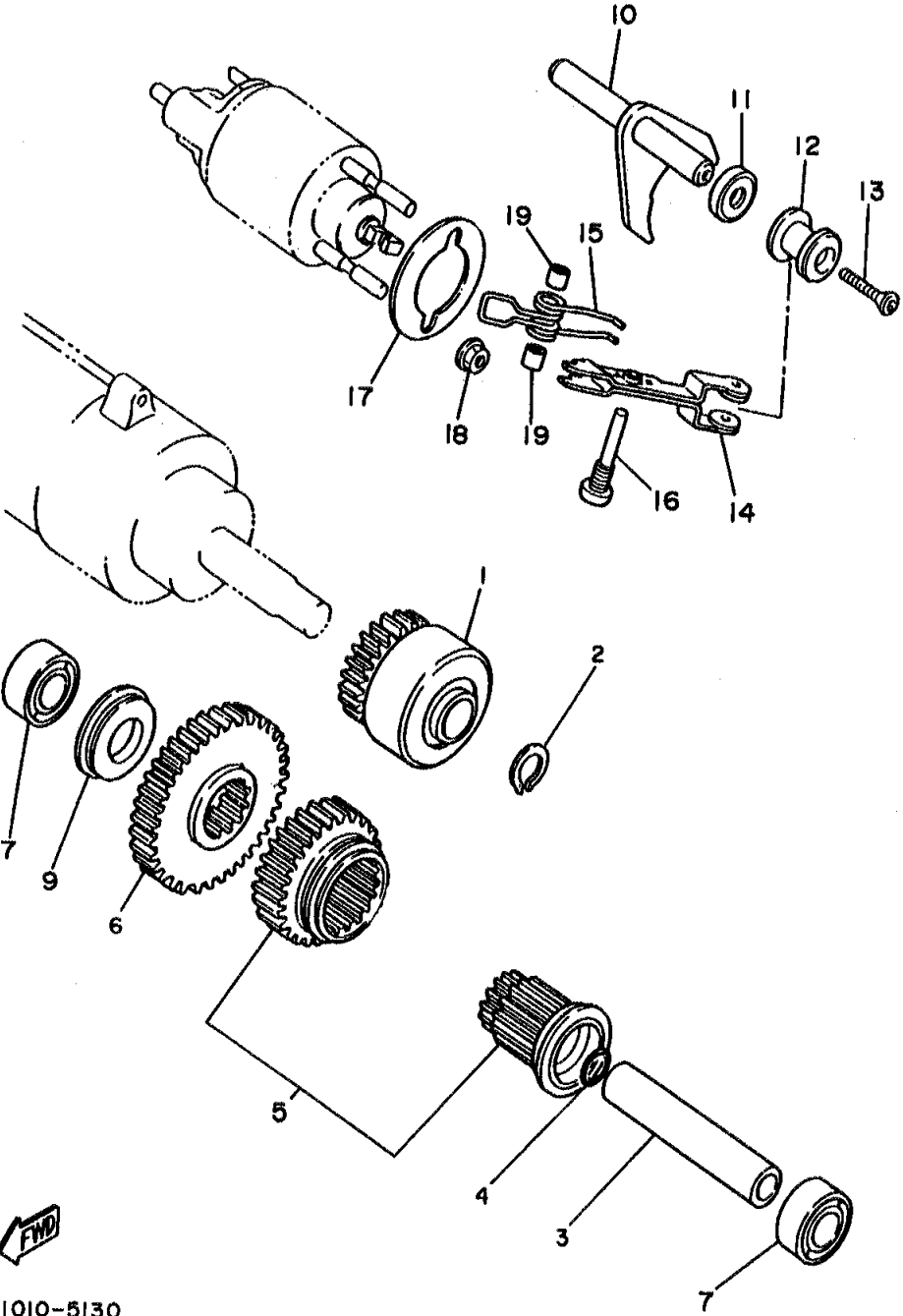
STARTING MOTOR



Ref. No.	Part Number	Description	Qty	Remarks
1	42X-81800-60-00	STARTING MOTOR ASSEMBLY (4X7-81800-60)	1	
2	371-81826-20-00	. BOLT	1	
3	371-81809-20-00	. WASHER KIT	1	
4	371-81847-20-00	. O-RING	1	
5	1J7-81840-60-00	. BRUSH HOLDER ASSEMBLY	1	
6	371-81811-20-00	. BRUSH 1	1	
7	371-81812-20-00	. BRUSH 2	1	
8	98580-03008-00	. SCREW, PAN HEAD	2	
9	4X7-81830-60-00	. FRONT BRACKET ASSEMBLY	1	
10	4X7-81844-60-00	.. GASKET	1	
11	371-81847-20-00	.. O-RING	1	
12	1J7-81847-60-00	.. O-RING	1	
13	95811-06025-00	BOLT, FLANGE	2	

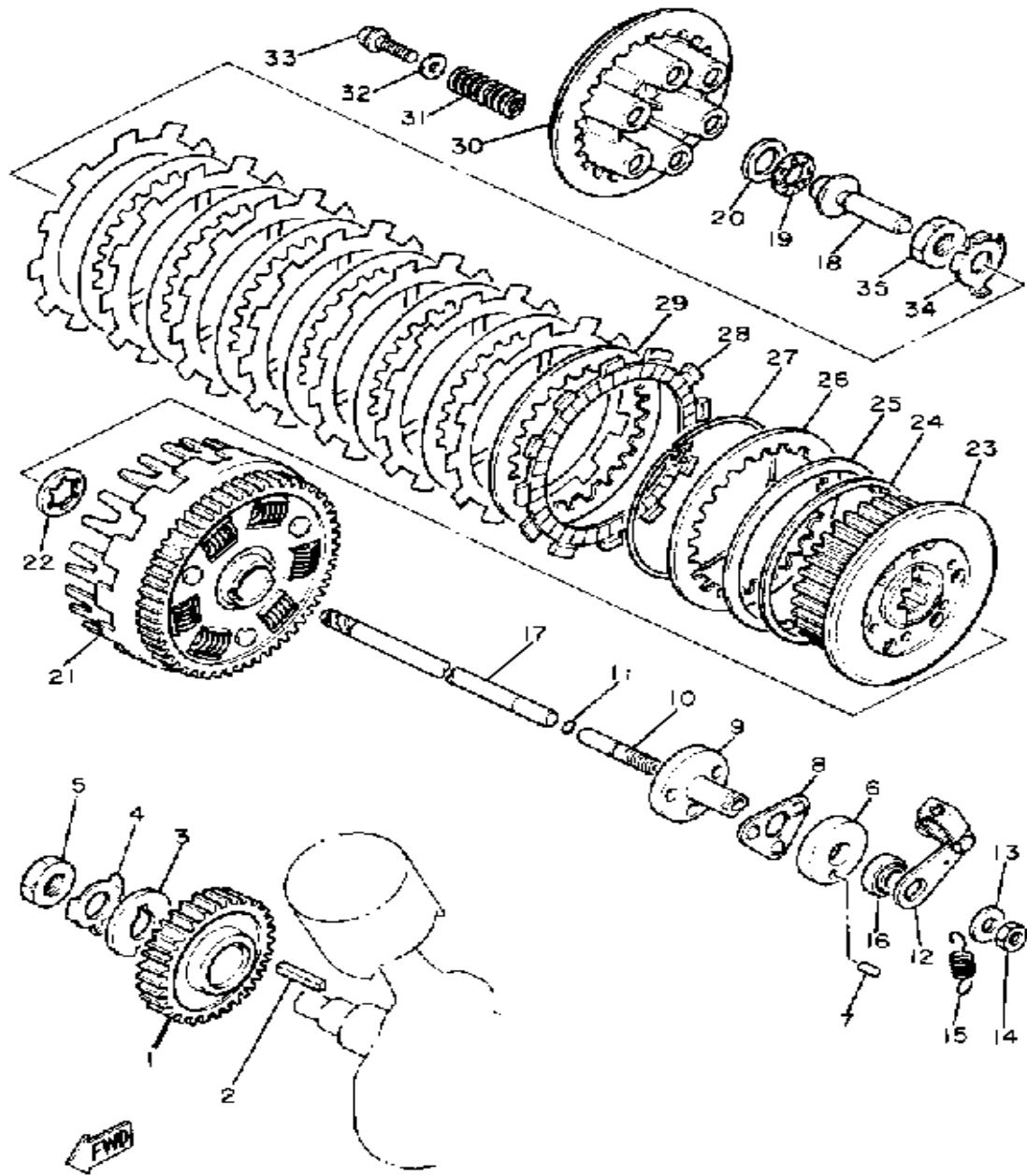
STARTER CLUTCH

Ref. No.	Part Number	Description	Qty	Remarks
1	4X7-15511-00-00	GEAR, STARTING MTR	1	
2	90468-29105-00	CLIP	1	
3	99009-13400-00	CIRCLIP (55X)	1	
4	4X7-15521-00-00	SHAFT 1	1	
5	4X7-15524-00-00	WHEEL, STARTER	1	
6	4X7-15512-00-00	GEAR, IDLER 1	1	
7	4X7-15517-00-00	GEAR, IDLER 2	1	
8	90468-29106-00	CLIP	1	
9	90387-172E5-00	COLLAR	2	
10	90501-15636-00	SPRING, COMPRESSION	1	
11	90387-170E5-00	COLLAR	1	



4PPI010-5130

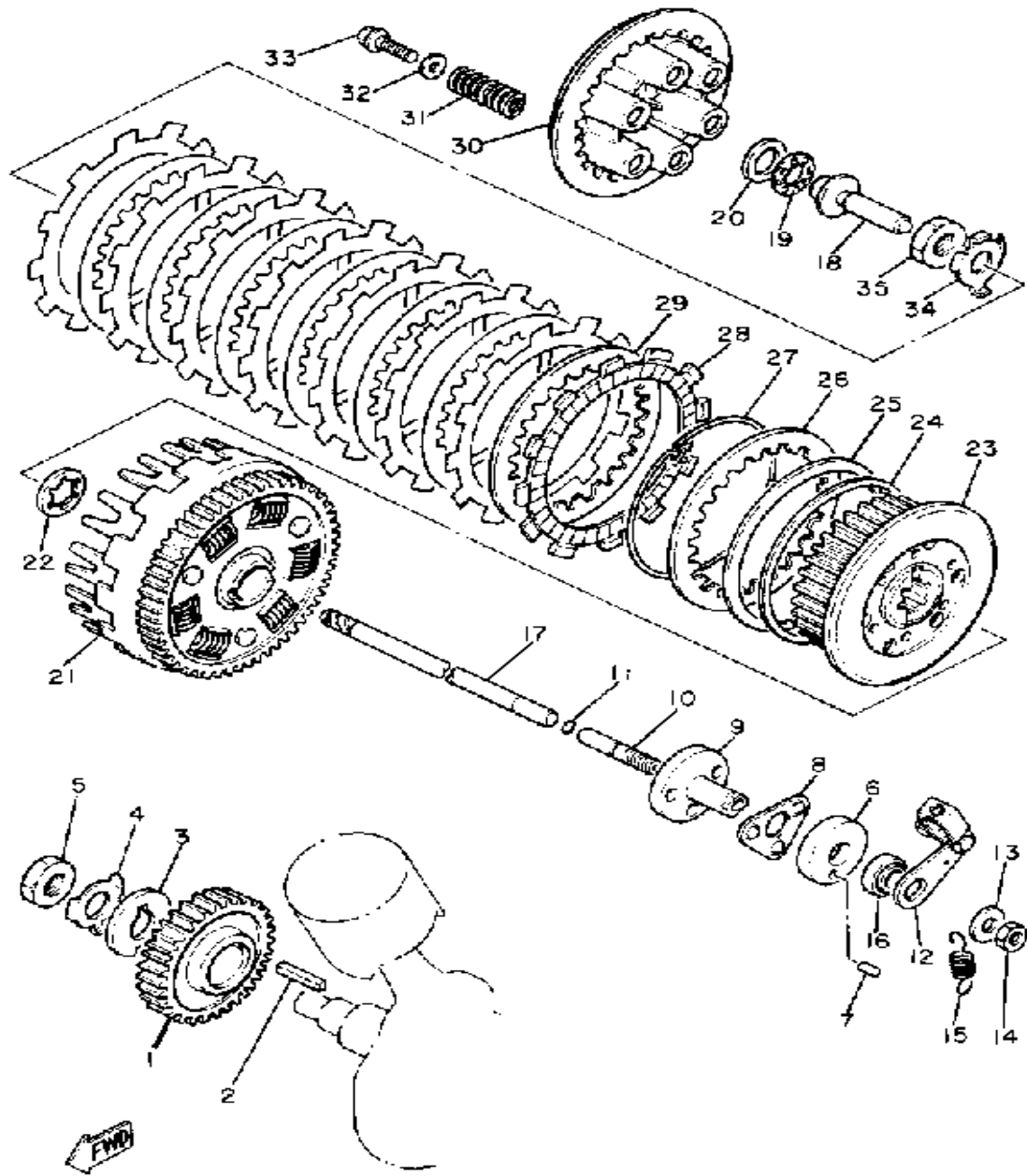
CLUTCH



Ref. No.	Part Number	Description	Qty	Remarks
1	4X7-16111-00-00	GEAR, PRI DRIVE	1	
2	90282-07042-00	KEY, STRAIGHT	1	
3	90214-20022-00	WASHER, CLAW	1	
4	90215-20182-00	WASHER, LOCK	1	
5	90170-20274-00	NUT, HEXAGON	1	
6	2H7-16396-00-00	HOUSING, PUSH SCREW	1	
7	93606-07082-00	PIN, DOWEL	1	
8	2H7-16395-01-00	RETAINER, BALL	1	
9	2H7-16341-00-00	SCREW, PUSH	1	
10	2H7-16343-00-00	SCREW, ADJUSTING	1	
11	93210-48364-00	O-RING	1	
12	4X7-16340-00-00	PUSH LEVER ASSEMBLY	1	
13	92990-08200-00	WASHER, PLAIN	1	
14	95303-08700-00	NUT	1	
15	90506-10069-00	SPRING, TENSION	1	
16	93104-14059-00	OIL SEAL, SO-TYPE	1	
17	4X7-16357-00-00	ROD, PUSH 2	1	
18	4X7-16356-00-00	ROD, PUSH 1	1	
19	93340-21505-00	BEARING	1	
20	90201-154E9-00	WASHER, PLATE	1	
21	4X7-16150-02-00	PRI DRVN GEAR	1	
22	3Y1-16154-00-00	PLATE, THRUST 1	1	
23	4X7-16371-00-00	BOSS, CLUTCH	1	
24	4X7-16384-00-00	PLATE, SEAT	1	
25	4X7-16383-01-00	SPRING, CLUTCH BOSS	1	
26	4X7-16324-00-00	PLATE, CLUTCH 1	1	
27	4X7-16385-00-00	RING, CLUTCH BOSS	1	
28	22U-16321-00-00	PLATE, FRICTION	8	
29	4X7-16325-00-00	PLATE, CLUTCH 2	7	

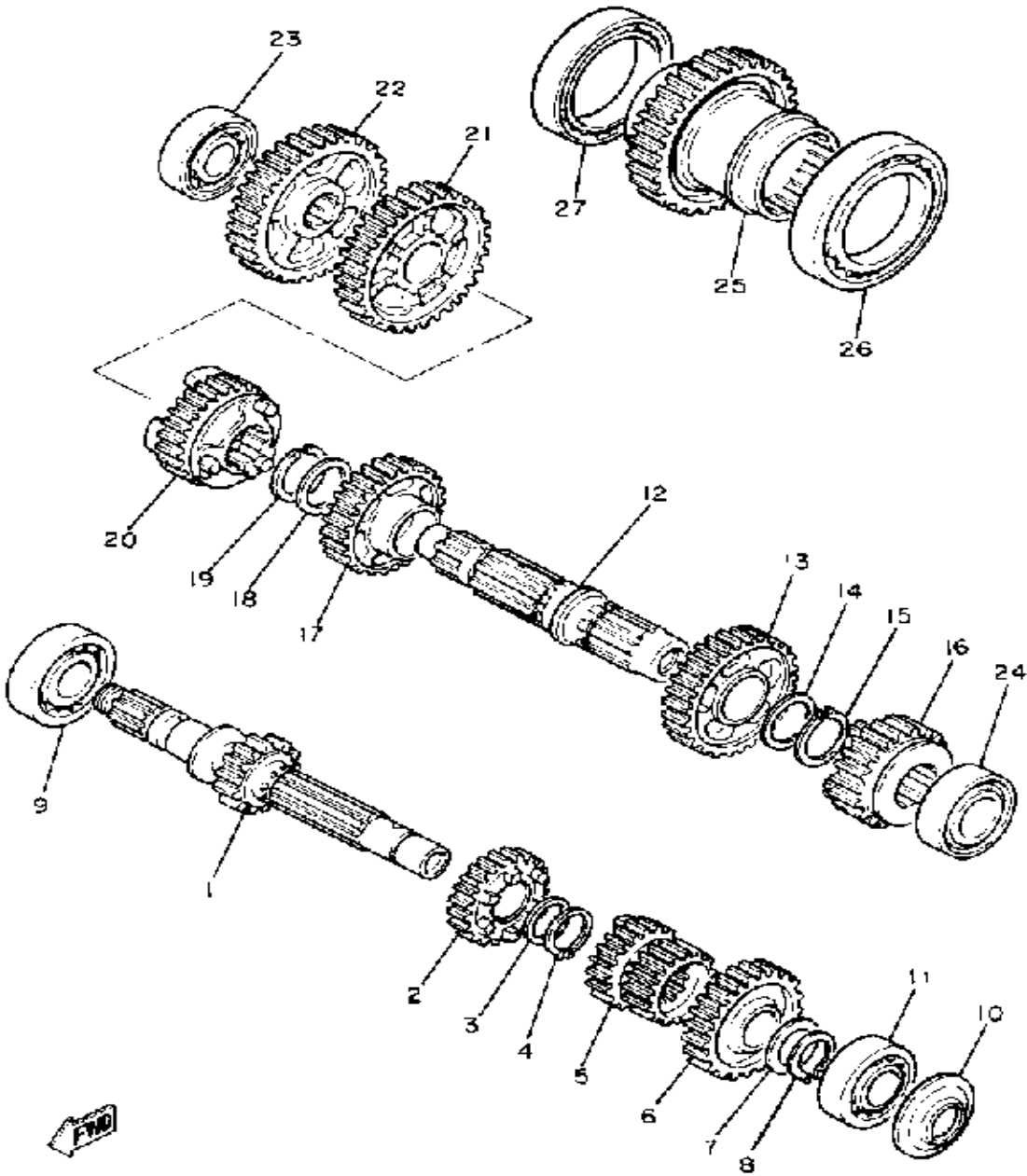
CONTINUED ON NEXT FRAME ➤

CLUTCH



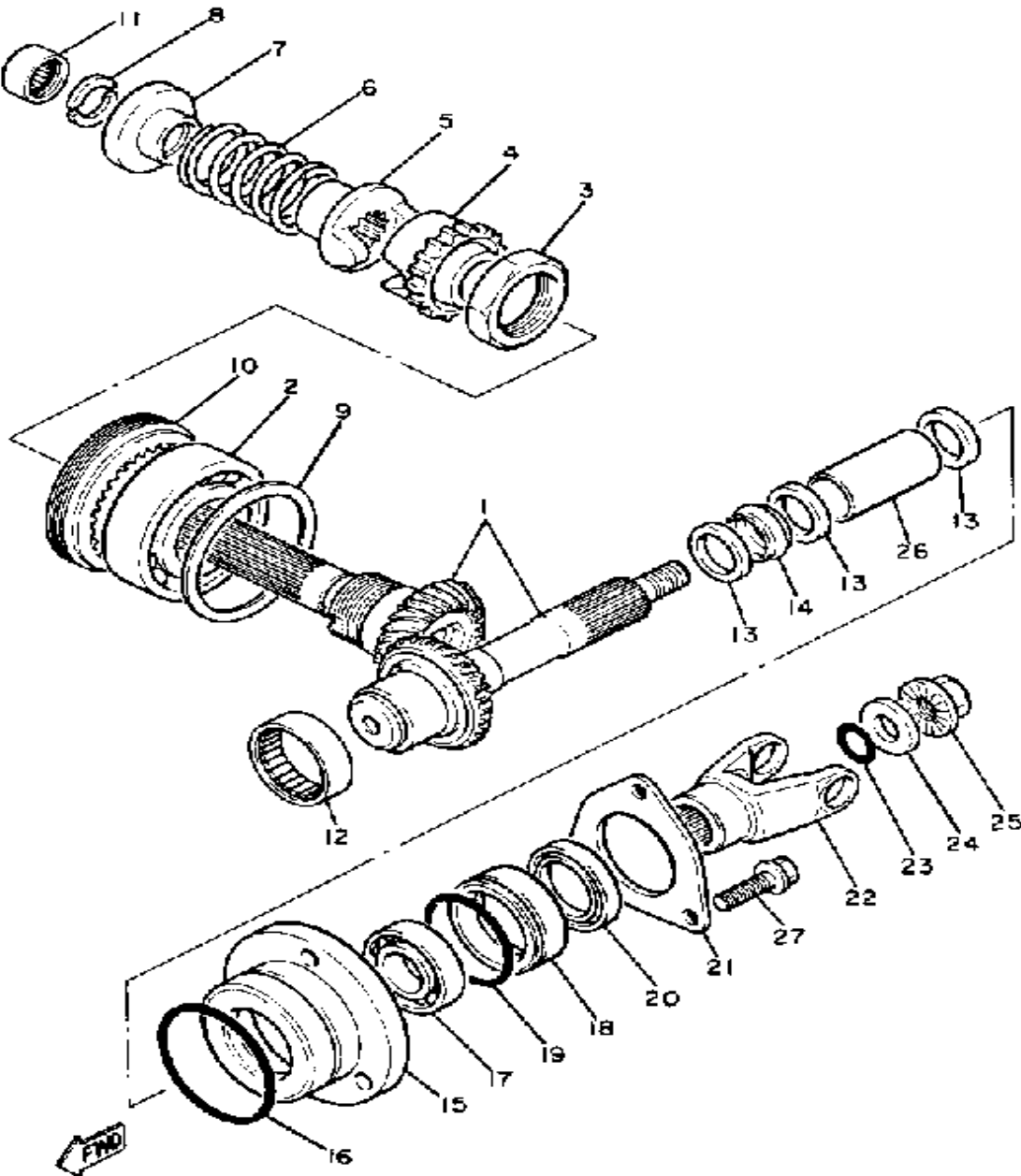
Ref. No.	Part Number	Description	Qty	Remarks
30	4X7-16351-00-00	PLATE, PRESSURE 1	1	
31	90501-23598-00	SPRING, COMPRESSION	6	
32	90201-061A5-00	WASHER, PLATE	6	
33	95811-06025-00	BOLT, FLANGE	6	
34	90215-20231-00	WASHER, LOCK	1	
35	90170-20327-00	NUT	1	

TRANSMISSION



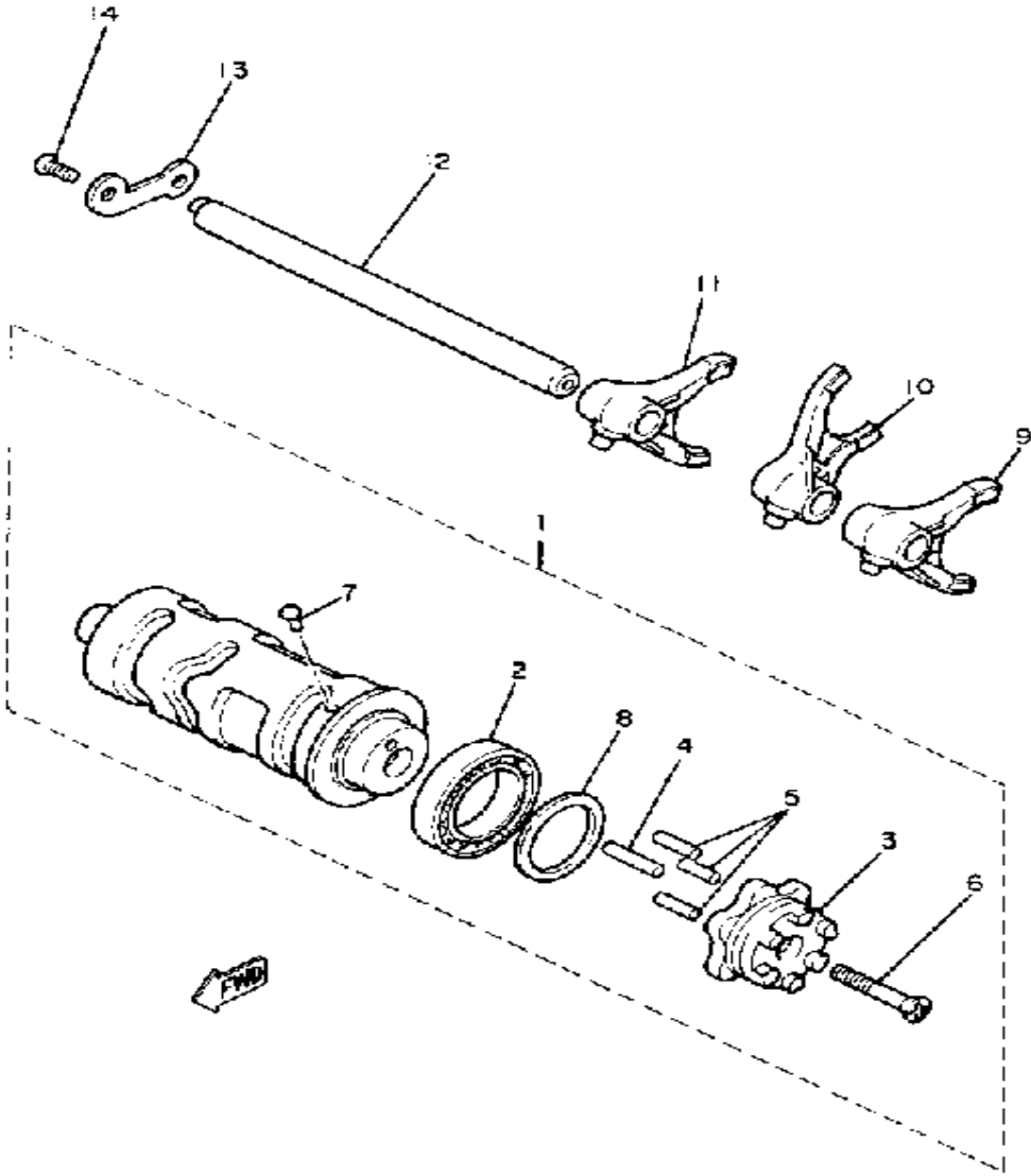
Ref. No.	Part Number	Description	Qty	Remarks
1	4X7-17411-00-00	AXLE, MAIN	1	
2	4X7-17141-00-00	GEAR, 4TH PINION	1	
3	90209-22191-00	WASHER	1	
4	93410-25010-00	CIRCLIP, S-TYPE	1	
5	4X7-17121-00-00	GEAR, 2ND PINION	1	
6	4X7-17151-01-00	GEAR, 5TH PINION	1	
7	90201-20276-00	WASHER, PLATE (1.0T)	1	
8	99009-20400-00	CIRCLIP	1	
9	93306-30525-00	BEARING (B6305)	1	
10	93104-20068-00	OIL SEAL	1	
11	93306-30424-00	BEARING (B6304A3)	1	
12	4X7-17402-00-00	DRIVE AXLE ASSEMBLY	1	
13	4X7-17221-00-00	GEAR, 2ND WHEEL	1	
14	90209-27192-00	WASHER	1	
15	93440-30077-00	CIRCLIP	1	
16	4X7-17251-01-00	GEAR, 5TH WHEEL	1	
17	4X7-17231-00-00	GEAR, 3RD WHEEL	1	
18	90209-27192-00	WASHER	1	
19	93440-30077-00	CIRCLIP	1	
20	4X7-17241-00-00	GEAR, 4TH WHEEL	1	
21	4X7-17211-00-00	GEAR, 1ST WHEEL	1	
22	4X7-17582-01-00	GEAR, MIDDLE DRIVE (45T)	1	
23	93306-20421-00	BEARING	1	
24	93306-20550-00	BEARING (B6205DU8)	1	
25	4X7-17583-01-00	GEAR, MIDDLE DRIVEN	1	
26	93316-01201-00	BEARING, CYLINDER.# 6	1	
27	93306-91201-00	BEARING	1	

MIDDLE DRIVE GEAR



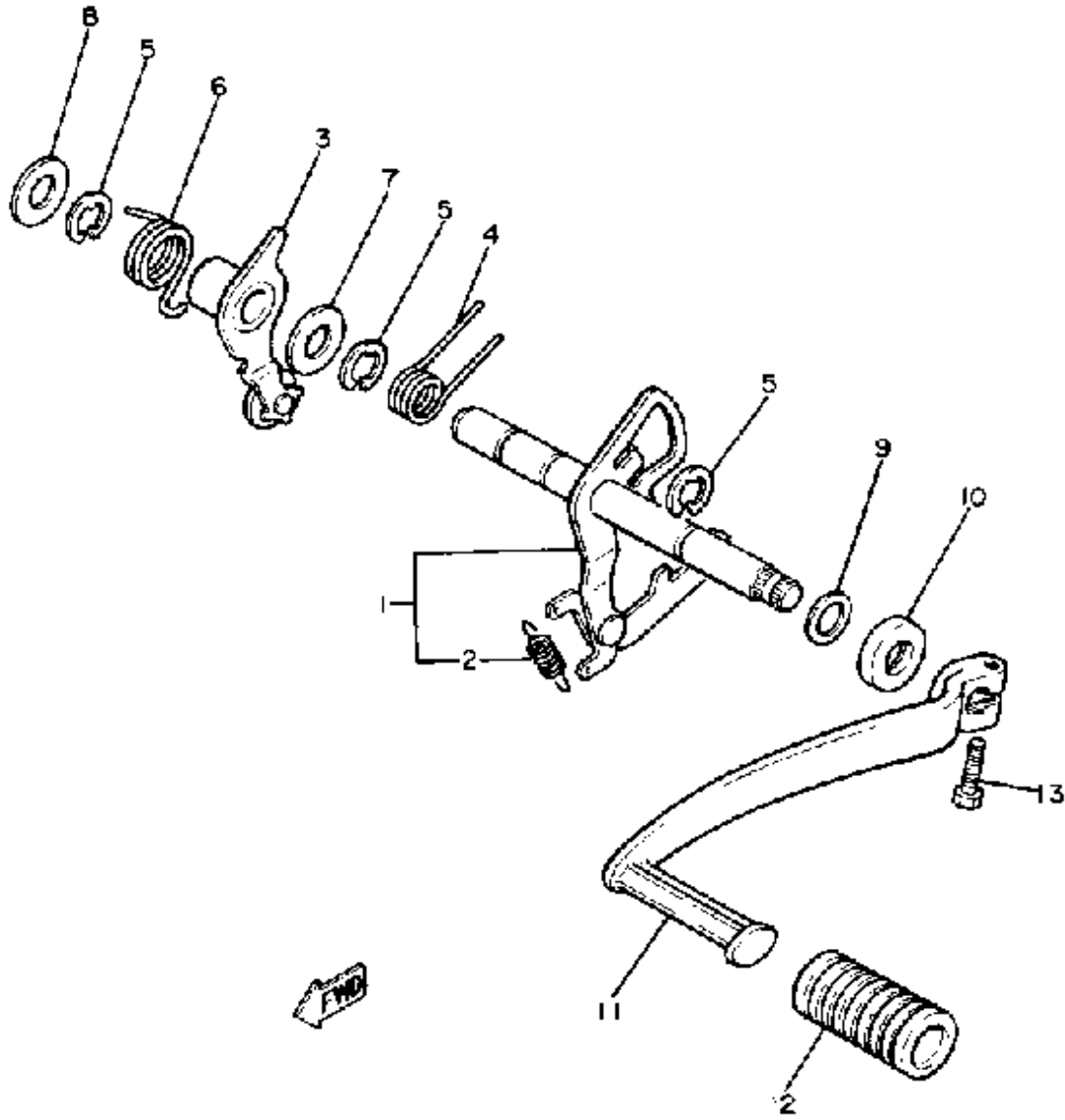
Ref. No.	Part Number	Description	Qty	Remarks
1	42X-W1751-00-00	MIDDLE GEAR	1	
2	93306-20901-00	BEARING (B6209RSH2-C2) ...	1	
3	90179-44328-00	NUT	1	
4	(4X7-17526-01-00)	CAM, DRIVE	1	
5	4H7-17527-00-00	CAM, DRIVEN	1	
6	(90501-65575-00)	SPRING, COMPRESSION	1	
7	(4X7-17524-00-00)	HOLDER	1	
8	3H5-17529-00-00	WASHER, THRUST	2	
9	4X7-17531-00-15	SHIM, PINION (0.15T)	1	U.R.
	4X7-17531-00-30	SHIM, PINION (0.30T)	1	U.R.
	4X7-17531-00-50	SHIM, PINION (0.50T)	1	U.R.
10	90179-88336-00	NUT, SPEC'L SHAPE	1	
11	93317-22021-00	BEARING, CYLINDER.# 7	1	
12	93311-34050-00	BEARING, CYLINDRICAL	1	
13	90201-255A6-00	WASHER, PLATE	3	
14	1J7-46129-Y1-00	SPACER, EXPANSION	1	
15	11H-17551-00-00	HOUSING, BEARING	1	
16	93210-71360-00	O-RING	1	
17	93306-20548-00	BEARING	1	
18	4X7-17554-00-00	RETAINER, BEARING	1	
19	93210-52449-00	O-RING	1	
20	93101-35099-00	OIL SEAL, S-TYPE	1	
21	(4X7-17558-00-00)	PLATE, BEARING	1	
22	4X7-17556-00-00	YOKE, JOINT	1	
23	93210-14359-00	O-RING	1	
24	90201-14633-00	WASHER, PLATE	1	
25	90179-14317-00	NUT, SPEC'L SHAPE	1	
26	90387-251E1-00	COLLAR	1	
27	95811-08030-00	BOLT, FLANGE	3	

SHIFT CAM-FORK



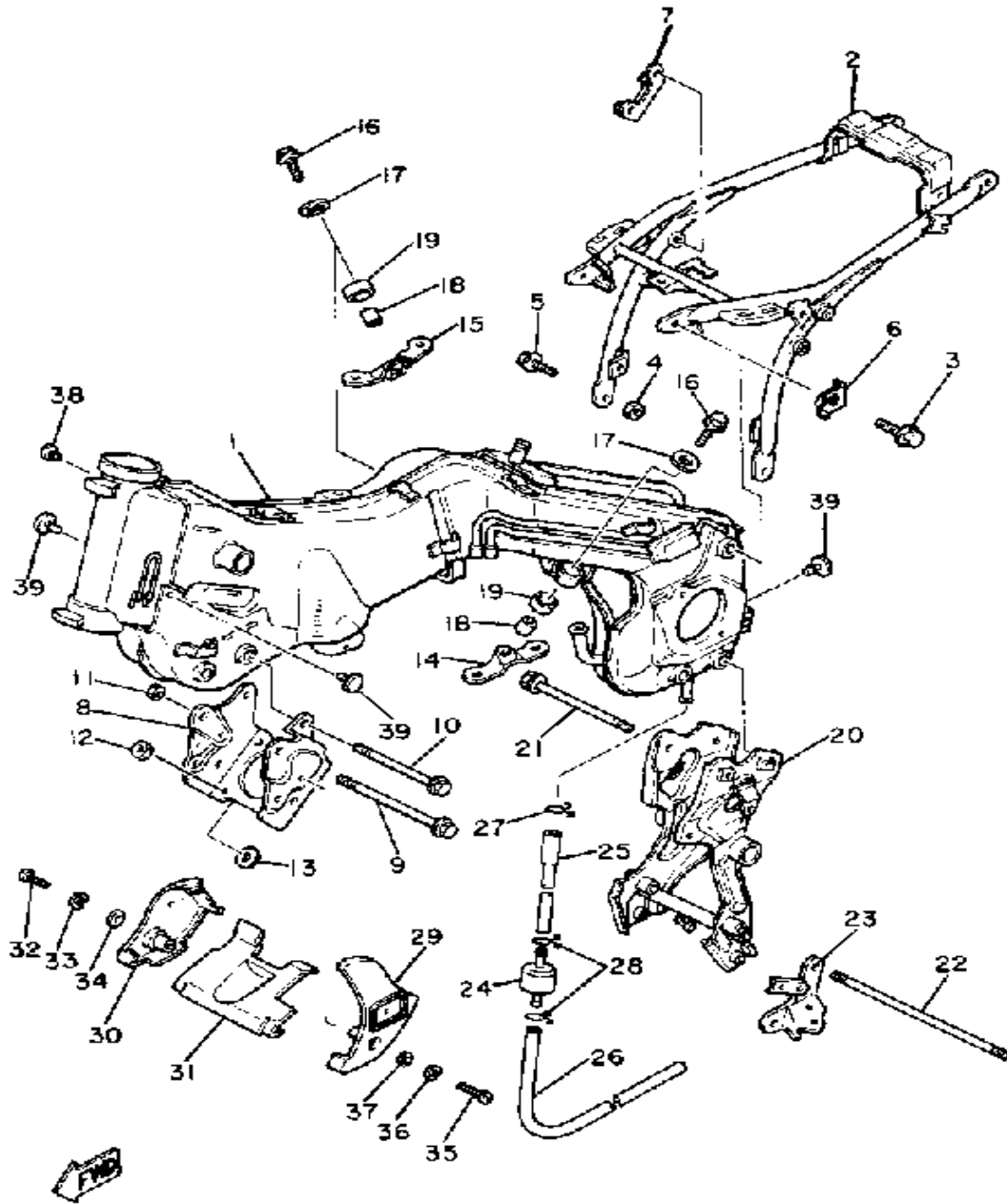
Ref. No.	Part Number	Description	Qty	Remarks
1	4X7-18540-01-00	SHIFT CAM ASSEMBLY	1	
2	93306-90602-00	. BEARING	1	
3	4G0-18185-01-00	. SEGMENT	1	
4	93604-20156-00	. PIN, DOWEL	1	
5	93604-16092-00	. PIN, DOWEL	3	
6	98701-05035-00	. SCREW, FLAT HEAD	1	
7	136-18542-00-00	. POINT, NEUTRAL	1	
8	90201-30297-00	. WASHER, PLATE	1	
9	4X7-18511-00-00	FORK, SHIFT 1	1	
10	4X7-18512-00-00	FORK, SHIFT 2	1	
11	4X7-18513-00-00	FORK, SHIFT 3	1	
12	4X7-18531-00-00	BAR, SHIF FRK GDE 1	1	
13	(4X7-18536-00-00)	STOPPER, SHIFT BAR	1	
14	98701-06014-00	SCREW, FLAT HEAD	2	

SHIFT SHAFT



Ref. No.	Part Number	Description	Qty	Remarks
1	4X7-18120-01-00	SHIFT LEVER ASSEMBLY	1	
2	90506-08227-00	. SPRING, TENSION	1	
3	4X7-18140-00-00	STOPPER LEVER ASSEMBLY	1	
4	90387-124F4-00	. COLLAR	1	
	90508-32535-00	. SPRING, TORSION	1	
	99999-01179-00	SPRING W/ COLLAR	1	
5	99006-10600-00	CIRCLIP	3	
6	90508-29531-00	SPRING, TORSION	1	
7	90201-12588-00	WASHER, PLATE	1	
8	90201-12588-00	WASHER, PLATE	1	
9	90201-12166-00	WASHER, PLATE	1	
10	93102-12321-00	OIL SEAL, SD-TYPE	1	
11	4X7-18111-00-00	PEDAL, SHIFT	1	
12	132-18113-01-00	COVER, SHIFT PEDAL	1	
13	97011-06020-00	BOLT	1	

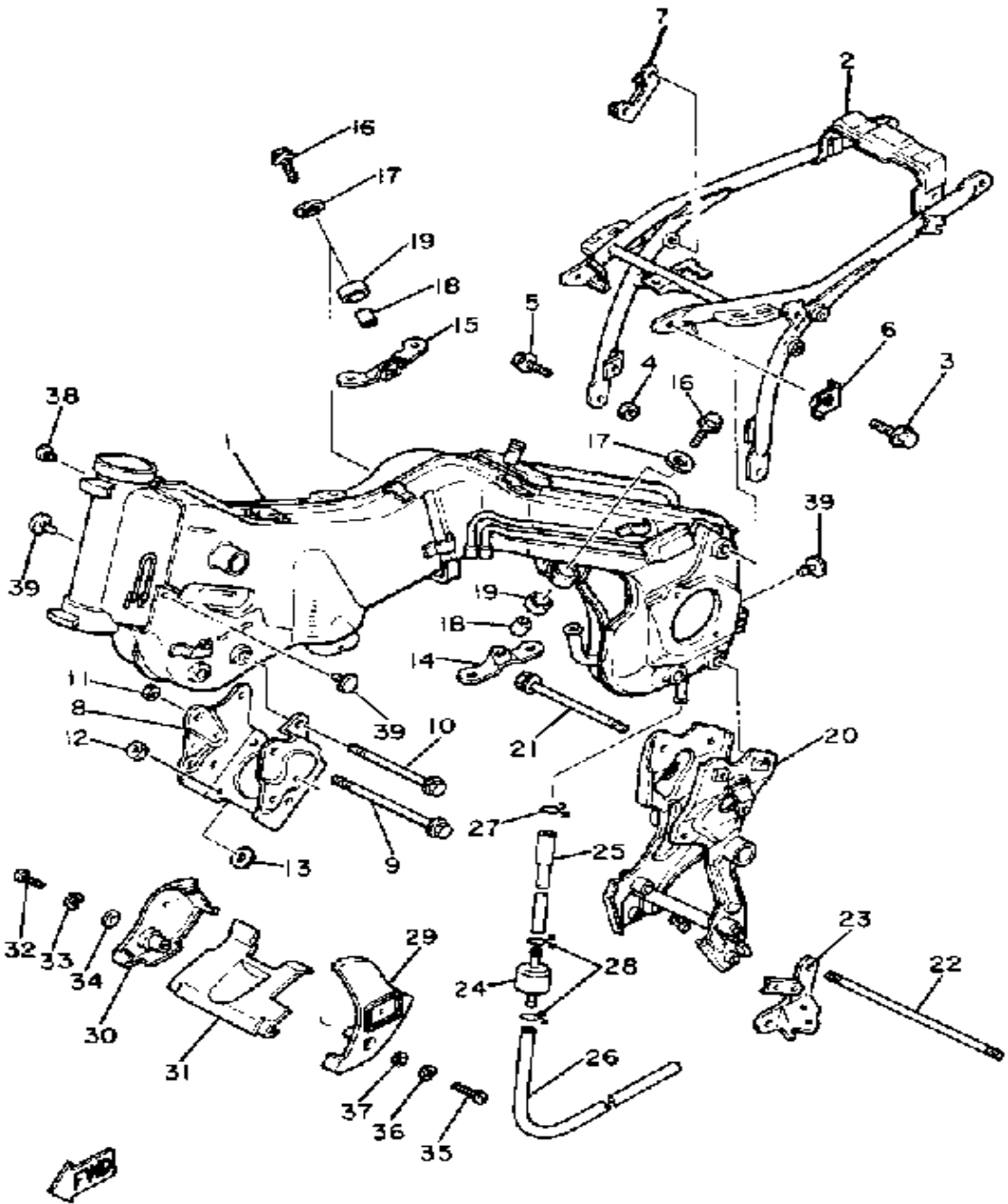
FRAME



Ref. No.	Part Number	Description	Qty	Remarks
1	(4X7-21110-00-33)	FRAME	1	YAMAHA BLACK
2	4X7-21190-00-33	FRAME, REAR	1	YAMAHA BLACK
3	95811-10035-00	BOLT, FLANGE	2	
4	90185-10060-00	NUT, SELF-LOCKING	2	
5	90101-10524-00	BOLT	2	
6	90215-10192-00	WASHER, LOCK	2	
7	4X7-2138L-00-00	BRACKET 2	1	
8	4X7-21317-00-00	STAY, ENGINE 4	1	
9	90105-10183-00	BOLT, WASHER BASED	1	
10	90105-10105-00	BOLT, WASHER BASED	1	
11	90179-10247-00	NUT	2	
12	90179-12421-00	NUT, SPEC'L SHAPE	4	
13	90201-125A3-00	WASHER, PLATE	4	
14	(4X7-21315-00-00)	STAY, ENGINE 2	1	
15	(4X7-21316-00-00)	STAY, ENGINE 3	1	
16	90105-10186-00	BOLT, WASHER BASED	2	
17	90201-105H3-00	WASHER, PLATE	2	
18	90387-100E2-00	COLLAR	2	
19	4X7-21485-00-00	DAMPER, RUBBER 1	2	
20	4X7-21430-00-00	BRACKET, REAR ARM	1	
21	90101-10074-00	BOLT	2	
22	90116-10343-00	BOLT, STUD	1	
23	(4X7-21458-01-00)	BRACKET, SIDE STAND	1	
24	4X7-2149Y-00-00	FILTER ASSEMBLY	1	
25	(90445-11545-00)	HOSE	1	
26	90445-11452-00	HOSE	1	
27	90467-13042-00	CLIP	1	
28	90467-11102-00	CLIP, SCISSOR	2	
29	4X7-2137W-00-98	SCOOP, AIR 1	1	LOW GLOSS BLK

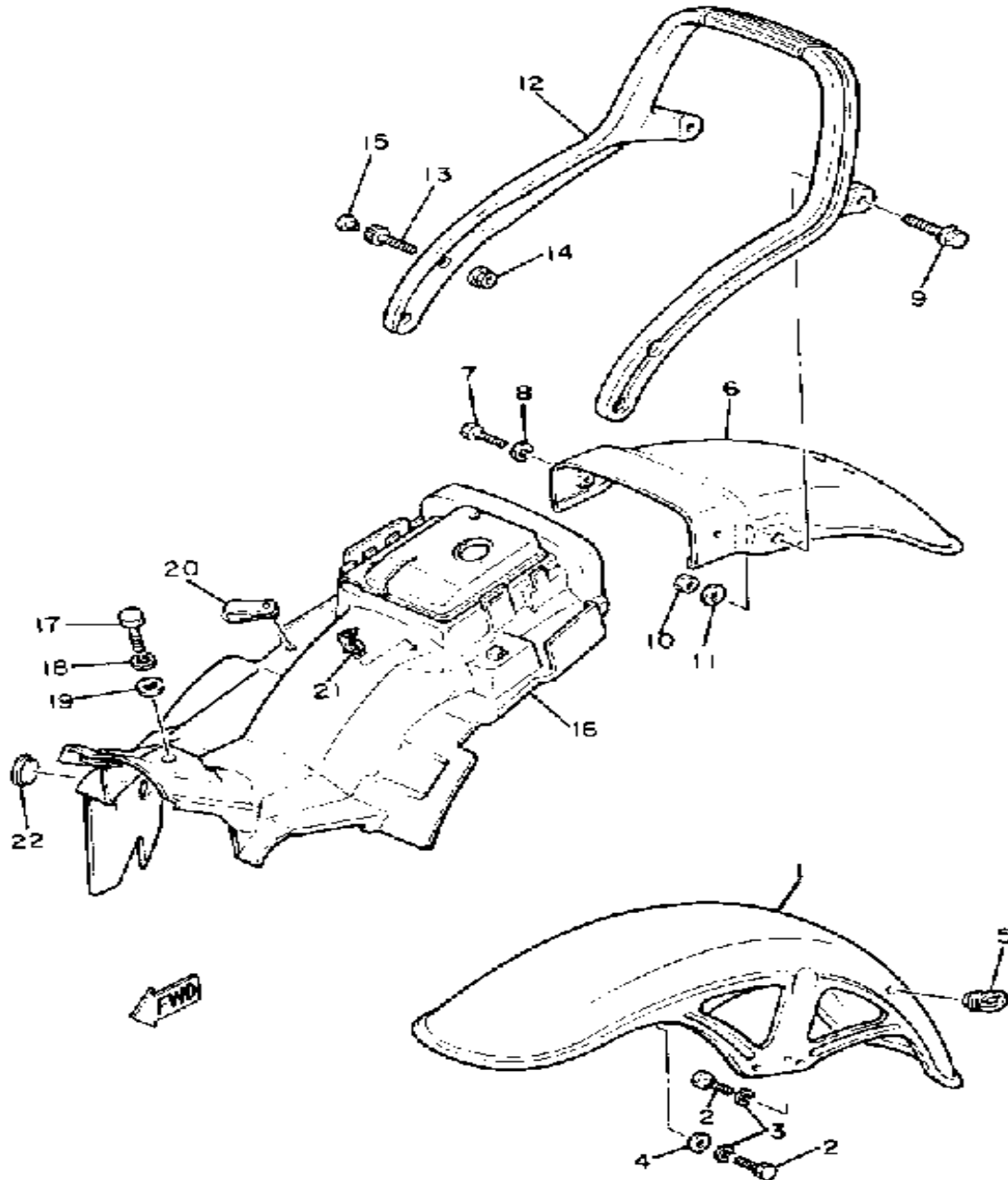
CONTINUED ON NEXT FRAME ►

FRAME



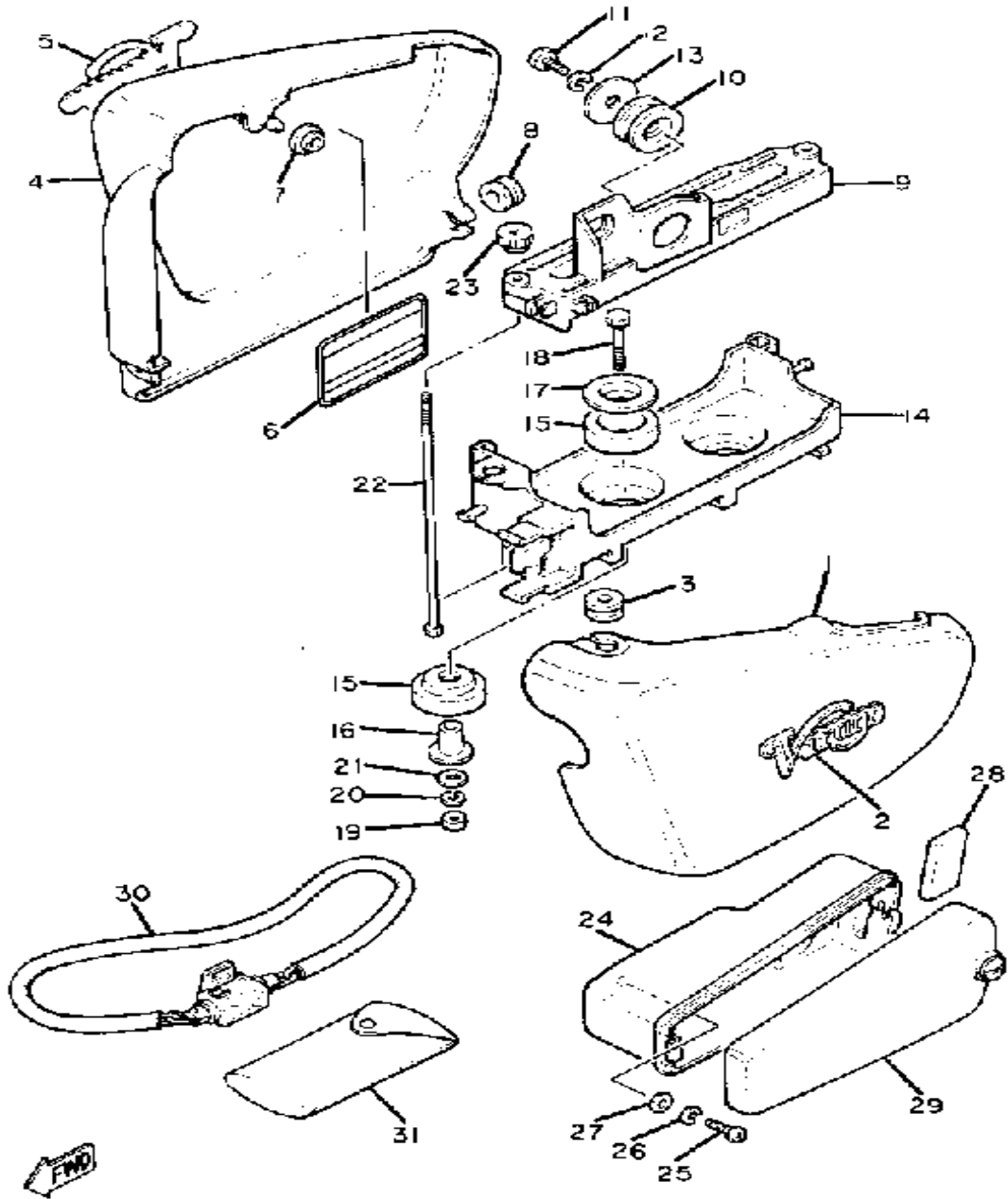
Ref. No.	Part Number	Description	Qty	Remarks
30	4X7-2137X-00-98	SCOOP, AIR 2	1	LOW GLOSS BLK
31	4X7-2137Y-00-98	GUIDE, AIR	1	LOW GLOSS BLK
32	98506-06016-00	SCREW, PANHEAD	1	
33	92906-06100-00	WASHER, SPRING	1	
34	92906-06600-00	WASHER	1	
35	98506-06040-00	SCREW, PAN HEAD	1	
36	92906-06100-00	WASHER, SPRING	1	
37	92906-06600-00	WASHER	1	
38	(90338-03116-00)	PLUG, SPEC'L SHAPE	2	
39	90338-07043-00	PLUG, SPEC'L SHAPE	3	

FENDER



Ref. No.	Part Number	Description	Qty	Remarks
1	4X7-21501-00-93	FENDER, FRONT	1	CHROME PLATED
2	97313-08020-00	BOLT, HEXAGON	4	
3	92990-08100-00	WASHER	4	
4	92990-08200-00	WASHER, PLAIN	2	
5	1A0-21518-00-00	HOLDER, CABLE	1	
6	4X7-21610-01-93	FENDER, REAR	1	CHROME PLATED
7	97013-06012-00	BOLT	2	
8	92995-06100-00	WASHER, SPRING	2	
9	95811-10030-00	BOLT, FLANGE	2	
10	95380-10600-00	NUT	2	
11	92990-10200-00	WASHER, PLAIN	2	
12	4X7-21645-00-00	STAY, REAR	1	
13	91316-08060-00	BOLT, SOCKET HEAD	4	
14	90179-08246-00	NUT, SPEC'L SHAPE	4	
15	341-23469-00-00	CAP, BOLT	4	
16	4X7-21620-00-00	GUARD, MUD	1	
17	97313-06016-00	BOLT, HEXAGON	1	
18	92995-06100-00	WASHER, SPRING	1	
19	90201-06067-00	WASHER, PLATE	1	
20	90464-12027-00	CLAMP	2	
21	90464-16025-00	CLAMP	1	
22	90480-30167-00	GROMMET	1	

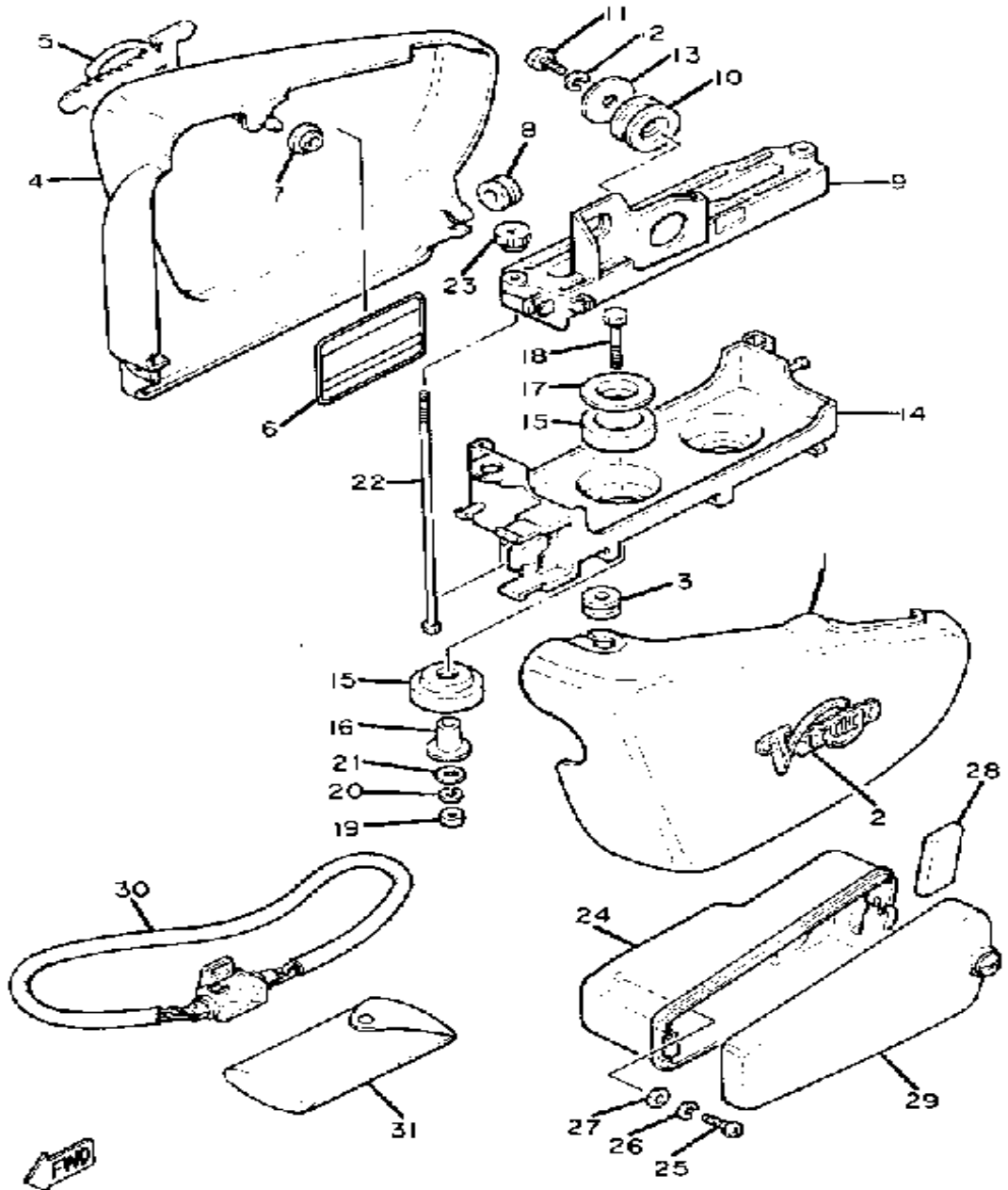
SIDE COVER-TOOL



Ref. No.	Part Number	Description	Qty	Remarks
1	4X7-21711-00-6G	COVER, SIDE 1	1	U.R. NEW YAMAHA BLK
	4X7-21711-00-7J	COVER, SIDE 1	1	U.R. NEW RUBY RED
2	4X7-21781-01-00	EMBLEM 1	1	
3	90480-12053-00	GROMMET	3	
4	4X7-21721-00-6G	COVER, SIDE 2	1	U.R. NEW YAMAHA BLK
	4X7-21721-00-7J	COVER, SIDE 2	1	U.R. NEW RUBY RED
5	4X7-21782-01-00	EMBLEM 2	1	
6	4X7-21683-00-00	PLATE, SPEC	1	
7	90480-01401-00	GROMMET	1	
8	90480-12053-00	GROMMET	2	
9	4X7-82136-00-00	PLATE, BATT FITTING	1	
10	2H7-21747-00-00	DAMPER	1	
11	97013-06012-00	BOLT	1	
12	92995-06100-00	WASHER, SPRING	1	
13	90201-065A1-00	WASHER, PLATE	1	
14	4X7-21171-00-00	BOX, TOOL	1	
15	2H7-21746-00-00	DAMPER	4	
16	90387-060G8-00	COLLAR	2	
17	90209-07170-00	WASHER, SPEC'L SHAP	2	
18	97313-06040-00	BOLT, HEXAGON	2	
19	95380-06600-00	NUT	2	
20	92995-06100-00	WASHER, SPRING	2	
21	92901-06600-00	WASHER	1	
22	90101-05496-00	BOLT	2	
23	90179-05322-00	NUT, SPEC'L SHAPE	2	
24	4X7-21248-00-00	BOX	1	
25	98503-06014-00	SCREW, PAN HEAD (92502-06016)	1	

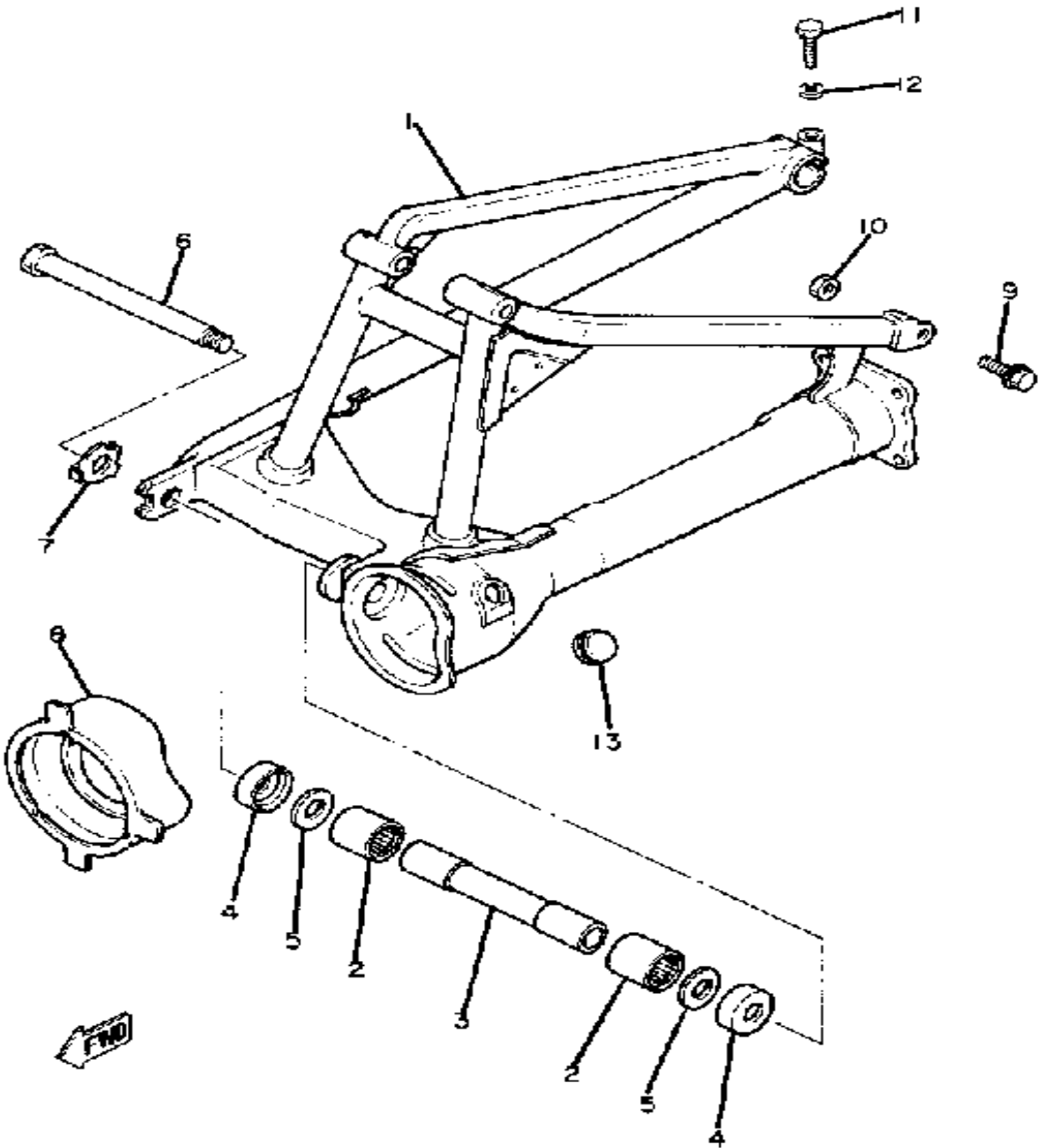
CONTINUED ON NEXT FRAME ►

SIDE COVER-TOOL



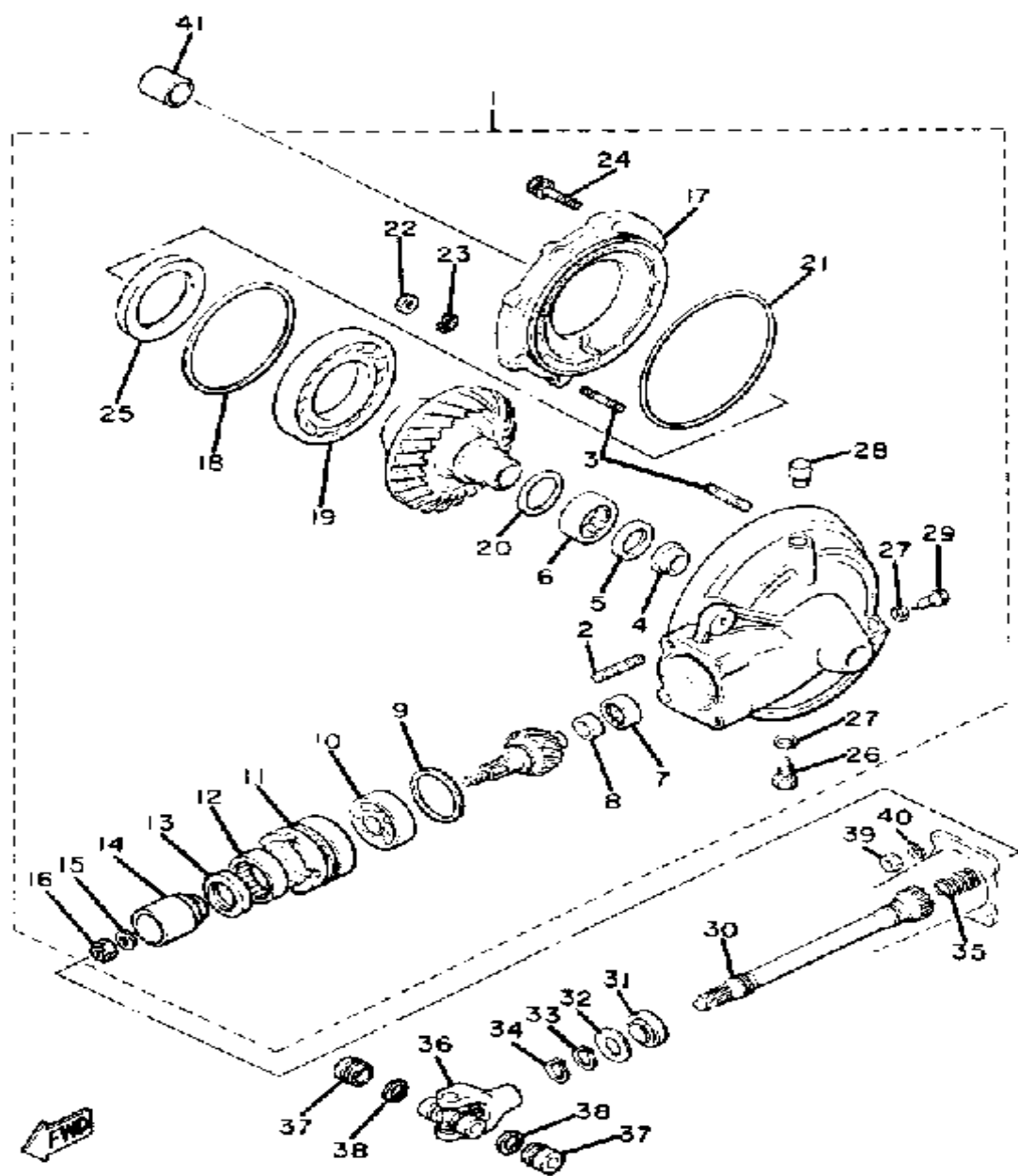
Ref. No.	Part Number	Description	Qty	Remarks
26	92995-06100-00	WASHER, SPRING	1	
27	90201-06M02-00	WASHER, PLATE	1	
28	4X7-21719-00-00	GROMMET	1	
29	4X7-2179A-00-00	CAP, TOOL BOX	1	
30	4W5-W2171-00-00	WHEEL LOCK ASSEMBLY (4X7-W2171-00)	1	
31	5A8-W2810-00-00	TOOL KIT	1	

SWING ARM



Ref. No.	Part Number	Description	Qty	Remarks
1	4X7-22110-01-35	REAR ARM	1	SILVER
2	93320-32403-00	BEARING	2	
3	4X7-22124-00-00	BUSH 2	1	
4	4X7-22129-00-00	COVER, THRUST 2	2	
5	90201-244A8-00	WASHER, PLATE	2	U.N.
	90201-244A9-00	WASHER, PLATE	2	U.N.
	90201-245A0-00	WASHER, PLATE	2	UN
6	4X7-22141-00-00	SHAFT, PIVOT	1	
7	90215-16181-00	WASHER, LOCK	1	
8	4X7-22189-01-00	BOOT, RUBBER	1	
9	95811-10035-00	BOLT, FLANGE	1	
10	90179-10247-00	NUT	1	
11	97313-08035-00	BOLT, HEXAGON	1	
12	92990-08100-00	WASHER	1	
13	90338-20113-00	PLUG	1	

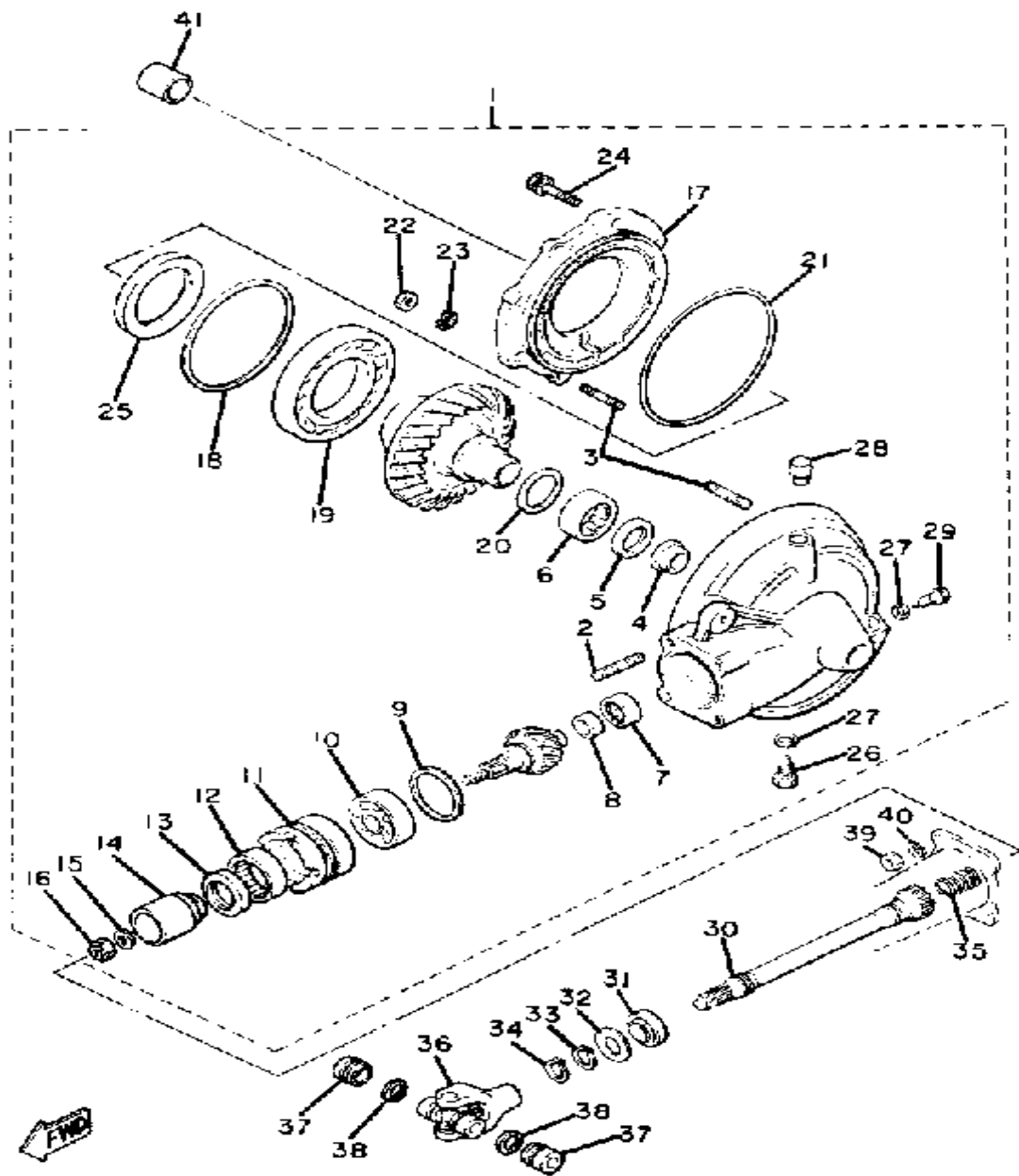
DRIVE SHAFT



Ref. No.	Part Number	Description	Qty	Remarks
1	(4X7-46101-01-00)	RR AXL GR CASE ASSEMBLY	1	
2	90116-10361-00	. BOLT, STUD	4	
3	90116-08360-00	. BOLT, STUD	6	
4	4H7-46153-00-00	. COLLAR, GUIDE	1	
5	93101-30084-00	. OIL SEAL	1	
6	93311-43729-00	. BEARING	1	
7	93317-41510-00	. BEARING	1	
8	2H7-46122-00-00	. RACE, INNER	1	
9	1J7-17537-Y0-30	. SHIM, THRUST (0.30T)	1	U.R.
	1J7-17537-Y0-40	. SHIM, THRUST (0.40T)	1	U.R.
	1J7-17537-Y0-50	. SHIM, THRUST (0.50T)	1	U.R.
10	93306-30533-00	. BEARING (B6305RB1 SPECIAL)	1	
11	4H7-46125-00-00	. RETAINER, BEARING	1	
12	93210-60426-00	. O-RING	1	
13	93101-38098-00	. OIL SEAL	1	
14	4H7-46123-00-00	. COUPLING, GEAR	1	
15	90201-14632-00	. WASHER, PLATE	1	
16	90185-14070-00	. NUT, SELF-LOCKING	1	
17	4H7-46152-00-00	. HOUSING, BEARING	1	
18	1J7-46117-Y0-30	. SHIM, RING GEAR (0.30T)	1	U.R.
	1J7-46117-Y0-35	. SHIM, RING GEAR	1	U.R.
	1J7-46117-Y0-40	. SHIM, RING GEAR (0.40T)	1	U.R.
	1J7-46117-Y0-50	. SHIM, RING GEAR (0.50T)	1	U.R.
19	93316-01403-00	. BEARING	1	
20	1J7-46118-Y0-18	. WASHER, THRUST	1	U.R.
	1J7-46118-Y0-19	. WASHER, THRUST	1	U.R.
	1J7-46118-Y0-20	. WASHER, THRUST	1	U.R.
	1J7-46118-Y0-21	. WASHER, THRUST	1	U.R.

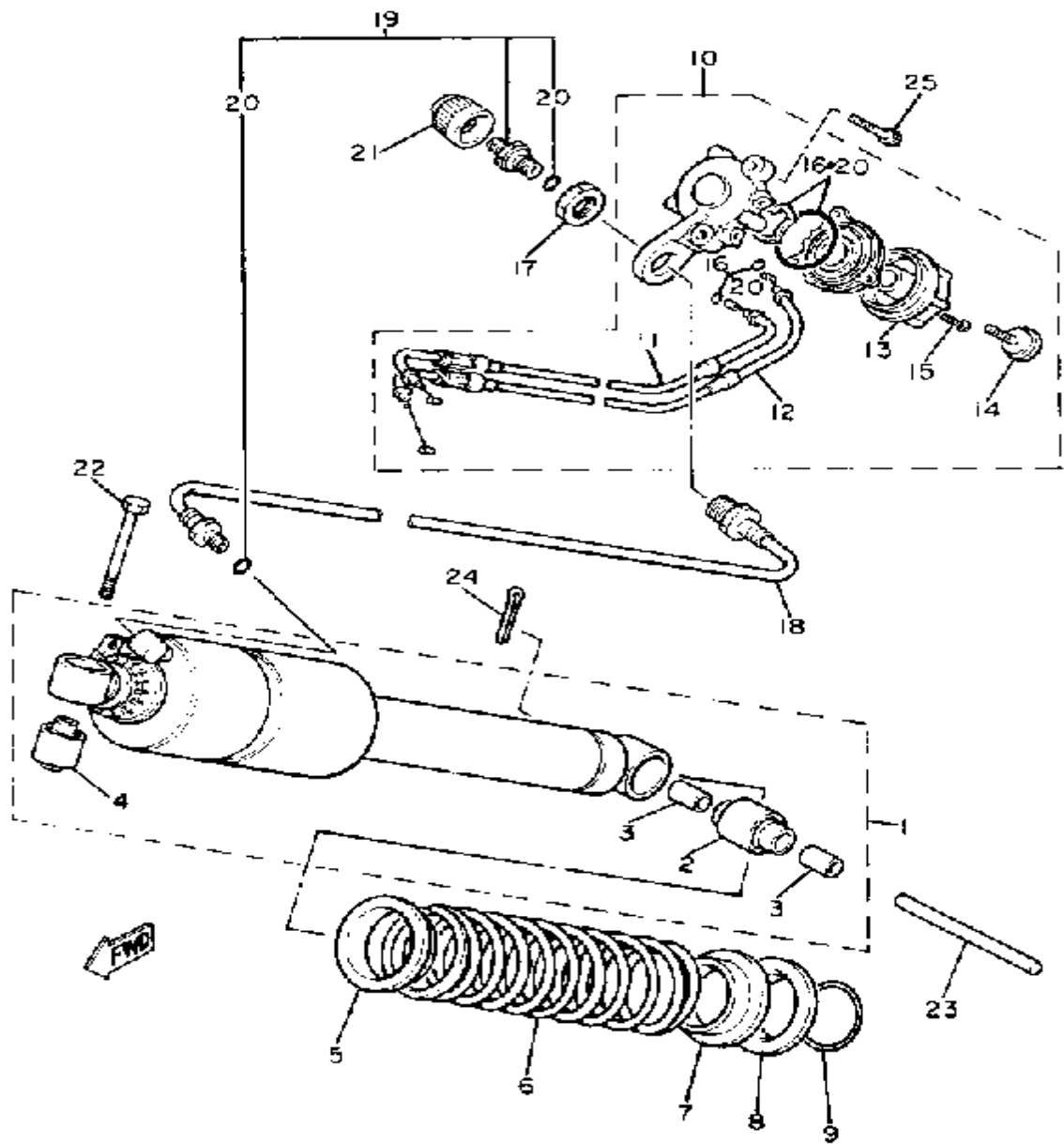
CONTINUED ON NEXT FRAME ►

DRIVE SHAFT



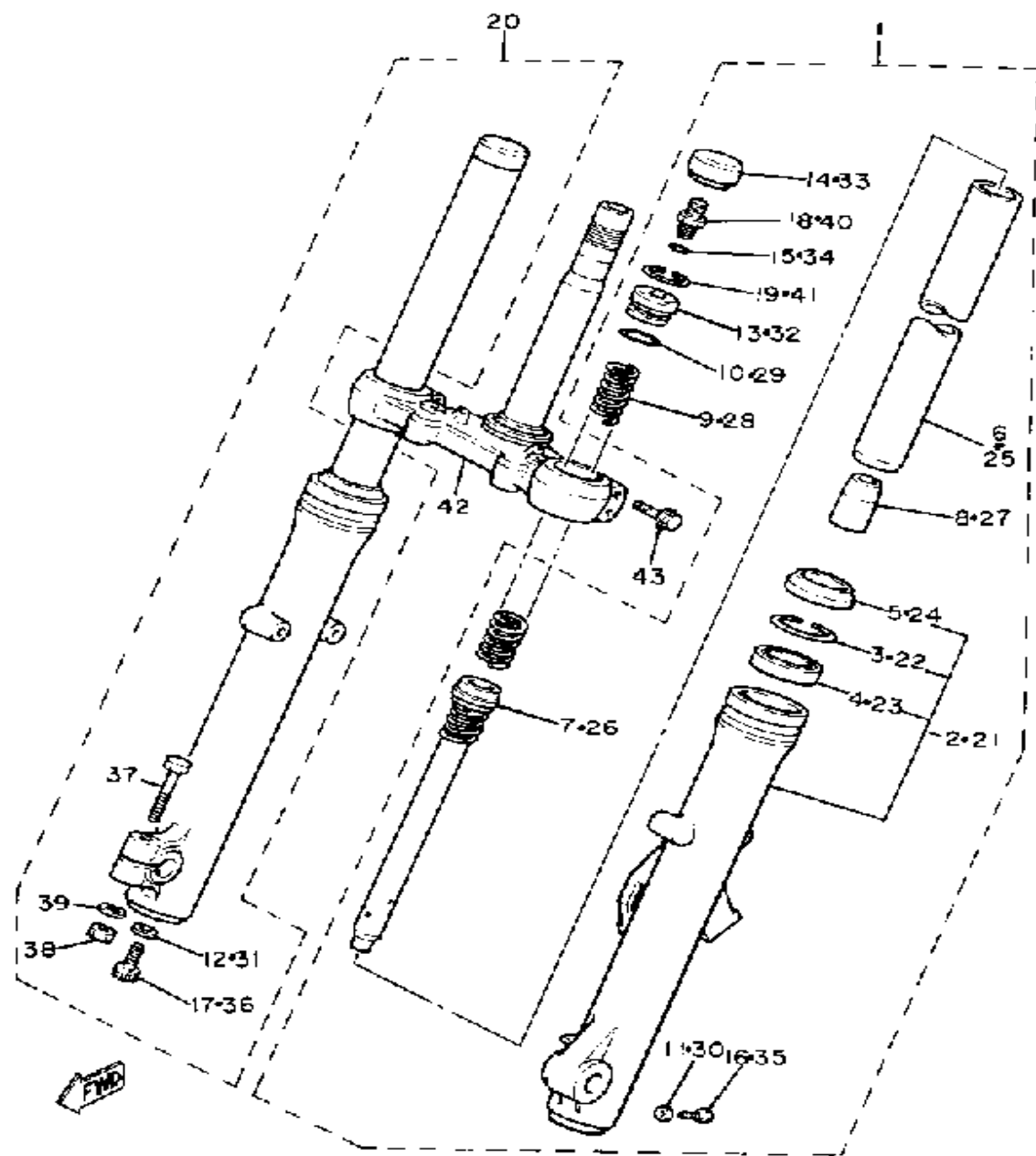
Ref. No.	Part Number	Description	Qty	Remarks
20	4H7-46118-00-14	. WASHER, THRUST	1	U.R.
	4H7-46118-00-15	. WASHER, THRUST	1	U.R.
	4H7-46118-00-16	. WASHER, THRUST	1	U.R.
	4H7-46118-00-17	. WASHER, THRUST	1	U.R.
	4H7-46118-00-22	. WASHER, THRUST	1	U.R.
	4H7-46118-00-23	. WASHER, THRUST	1	U.R.
21	93211-44348-00	. O-RING	1	
22	95333-08600-00	. NUT	6	
23	92901-08700-00	. WASHER, WAVE	6	
24	95811-10025-00	. BOLT, FLANGE	2	
25	93102-70167-00	. OIL SEAL	1	
26	3VD-13455-00-00	. PLUG	1	
27	214-11198-01-00	. GASKET	2	
28	2H7-17590-00-00	. BREATHER COMP.	1	
29	90340-14118-00	. PLUG, STRAIGHT	1	
30	4X7-46172-00-00	SHAFT, DRIVE	1	
31	93108-23007-00	OIL SEAL	1	
32	90201-231A2-00	WASHER, PLATE	1	
33	93410-23056-00	CIRCLIP	1	
34	93410-22039-00	CIRCLIP	1	
35	90501-16491-00	SPRING, COMPRESSION	1	
36	4X7-46180-00-00	CROSS JOINT COMP.	1	
37	93399-99926-00	BEARING	2	
38	93440-20088-00	CIRCLIP	2	
39	95311-10600-00	NUT	4	
40	92990-10100-00	WASHER, SPRING	4	
41	90387-172A5-00	COLLAR	1	

REAR SHOCKS



Ref. No.	Part Number	Description	Qty	Remarks
1	4X7-22201-00-00	DAMPER SUB ASSEMBLY	1	
2	3R4-22226-00-00	. BUSH, SHOCK ABS LWR	1	
3	90380-12051-00	. BUSH, SOLID	2	
4	1YW-22216-00-00	. BUSH, RR SHOCK ABS	1	
5	(4X7-22213-00-00)	SEAT, SPRING UPPER	1	
6	(4X7-22212-00-00)	SPRING	1	
7	(50T-22224-00-00)	GUIDE, SPRING 2	1	
8	(3Y1-22223-00-00)	SEAT, SPRING LOWER	1	
9	93440-48079-00	CIRCLIP, OUTER	1	
10	4X7-22460-00-00	CONTROL PANEL ASSEMBLY	1	
11	(4X7-22463-00-00)	CABLE, CONTROL 1	1	
12	(4X7-22467-00-00)	CABLE, CONTROL 2	1	
13	(4X7-22464-00-00)	KNOB, CONTROL	1	
14	(90157-06021-00)	SCREW, PAN HEAD	1	
15	98580-04010-00	. SCREW, PAN HEAD	3	
16	4X7-W0005-00-00	. O-RING SET	1	
17	90170-16278-00	NUT, HEXAGON	1	
18	4X7-22470-00-00	HOSE, AIR	1	
19	4X7-W2241-00-00	AIR VALVE ASSEMBLY	1	
20	93210-08483-00	. O-RING	2	
21	4X7-22498-00-00	CAP, ADJUST	1	
22	90101-12498-00	BOLT	1	
23	93612-99168-00	PIN, DOWEL	1	
24	91401-40040-00	PIN, COTTER	1	
25	91311-06016-00	BOLT, SOCKET HEAD	2	

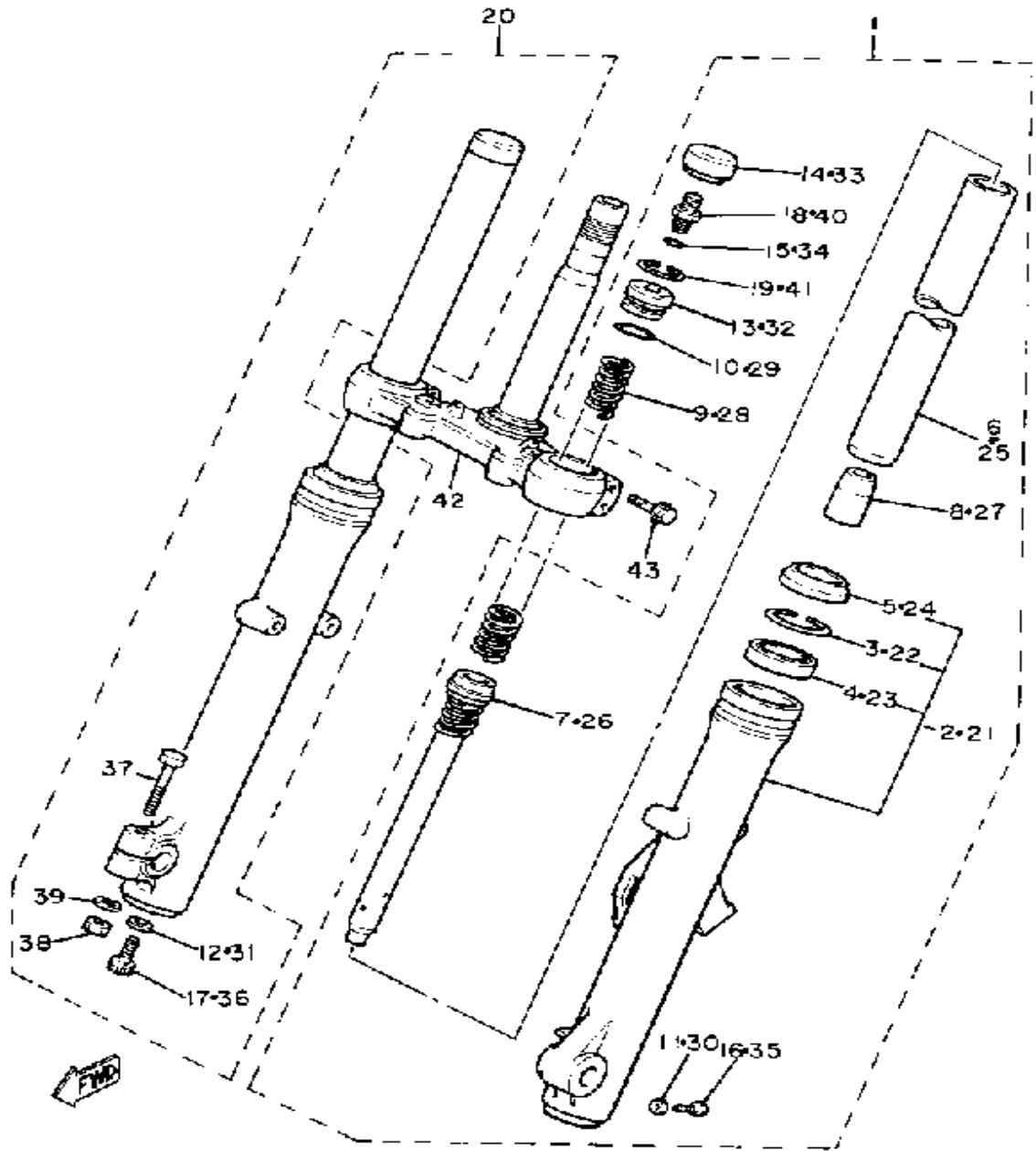
FRONT FORK



Ref. No.	Part Number	Description	Qty	Remarks
1	(4X7-23102-00-00)	FRONT FORK ASSEMBLY L ..	1	
2	4H7-23126-00-00	. TUBE, OUTER 1	1	
3	4A1-23156-00-00	.. CLIP, OIL SEAL	1	
4	49A-23145-00-00	.. OIL SEAL (15R-23145-00) ..	1	
5	33M-23144-00-00	.. SEAL, DUST (15R-23144-00)	1	
6	4X7-23110-00-00	. INNER TUBE 1	1	
7	4K0-23170-00-00	. CYLINDER, FRTFRK	1	
8	1W1-23173-L0-00	. SPINDLE, TAPER	1	
9	(4X7-23141-00-00)	SPRING, FRONT FORK	1	
10	3J2-23114-00-00	. GASKET	1	
11	122-23129-00-00	. GASKET, DRAIN PLUG	1	
12	509-23158-L0-00	. GASKET	1	
13	3J2-23111-00-00	. BOLT, CAP	1	
14	4X7-23168-00-00	. CAP, FRONT FORK	1	
15	3J2-23147-00-00	. O-RING	1	
16	4H7-23119-00-00	. PLUG, DRAIN - (122-23119-01)	1	
17	278-23181-50-00	. BOLT, HEXAGON SOCKET HEAD	1	
18	4V4-23190-L0-00	. AIR VALVE COMP	1	
19	3J2-23183-00-00	. CIRCLIP	1	
20	4X7-23103-00-00	FRONT FORK ASSEMBLY R ..	1	
21	22U-23136-01-38	. TUBE, OUTER 2	1	
22	4A1-23156-00-00	.. CLIP, OIL SEAL	1	
23	49A-23145-00-00	.. OIL SEAL (15R-23145-00) ..	1	
24	33M-23144-00-00	.. SEAL, DUST (15R-23144-00)	1	
25	4X7-23110-00-00	. INNER TUBE 1	1	
26	4K0-23170-00-00	. CYLINDER, FRTFRK	1	
27	1W1-23173-L0-00	. SPINDLE, TAPER	1	
28	(4X7-23141-00-00)	SPRING, FRONT FORK	1	

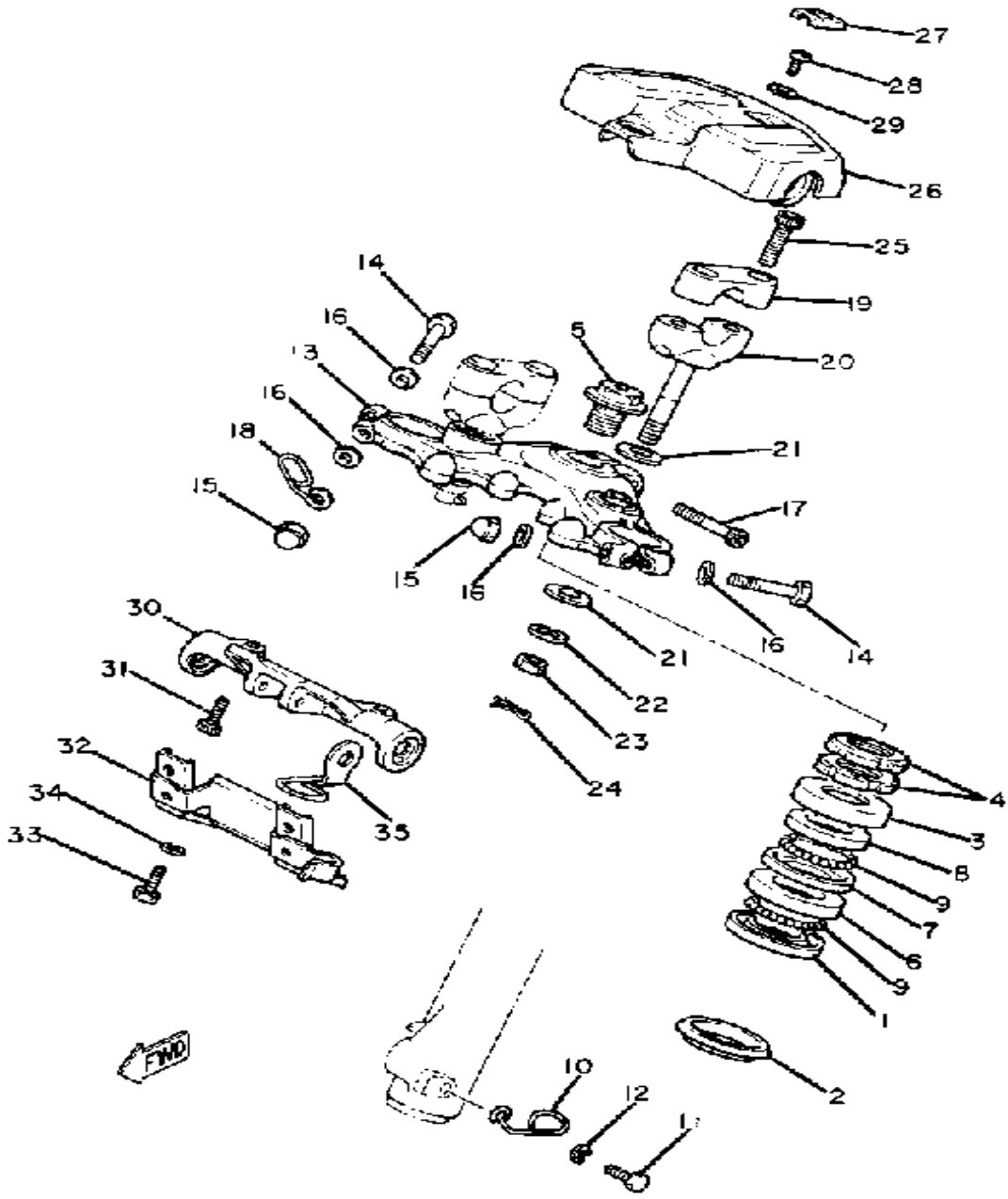
CONTINUED ON NEXT FRAME ►

FRONT FORK



Ref. No.	Part Number	Description	Qty	Remarks
29	3J2-23114-00-00	. GASKET	1	
30	122-23129-00-00	. GASKET, DRAIN PLUG	1	
31	509-23158-L0-00	. GASKET	1	
32	3J2-23111-00-00	. BOLT, CAP	1	
33	4X7-23168-00-00	. CAP, FRONT FORK	1	
34	3J2-23147-00-00	. O-RING	1	
35	4H7-23119-00-00	. PLUG, DRAIN - (122-23119-01)	1	
36	278-23181-50-00	. BOLT, HEXAGON SOCKET HEAD	1	
37	97313-08045-00	. BOLT	1	
38	95333-08600-00	. NUT	1	
39	92990-08100-00	. WASHER	1	
40	4V4-23190-L0-00	. AIR VALVE COMP	1	
41	3J2-23183-00-00	. CIRCLIP	1	
42	5G5-23340-00-33	UNDER BRACKET (4X7-23340-00-33)	1	YAMAHA BLACK
43	18G-23128-00-00	BOLT, WWASHER	4	

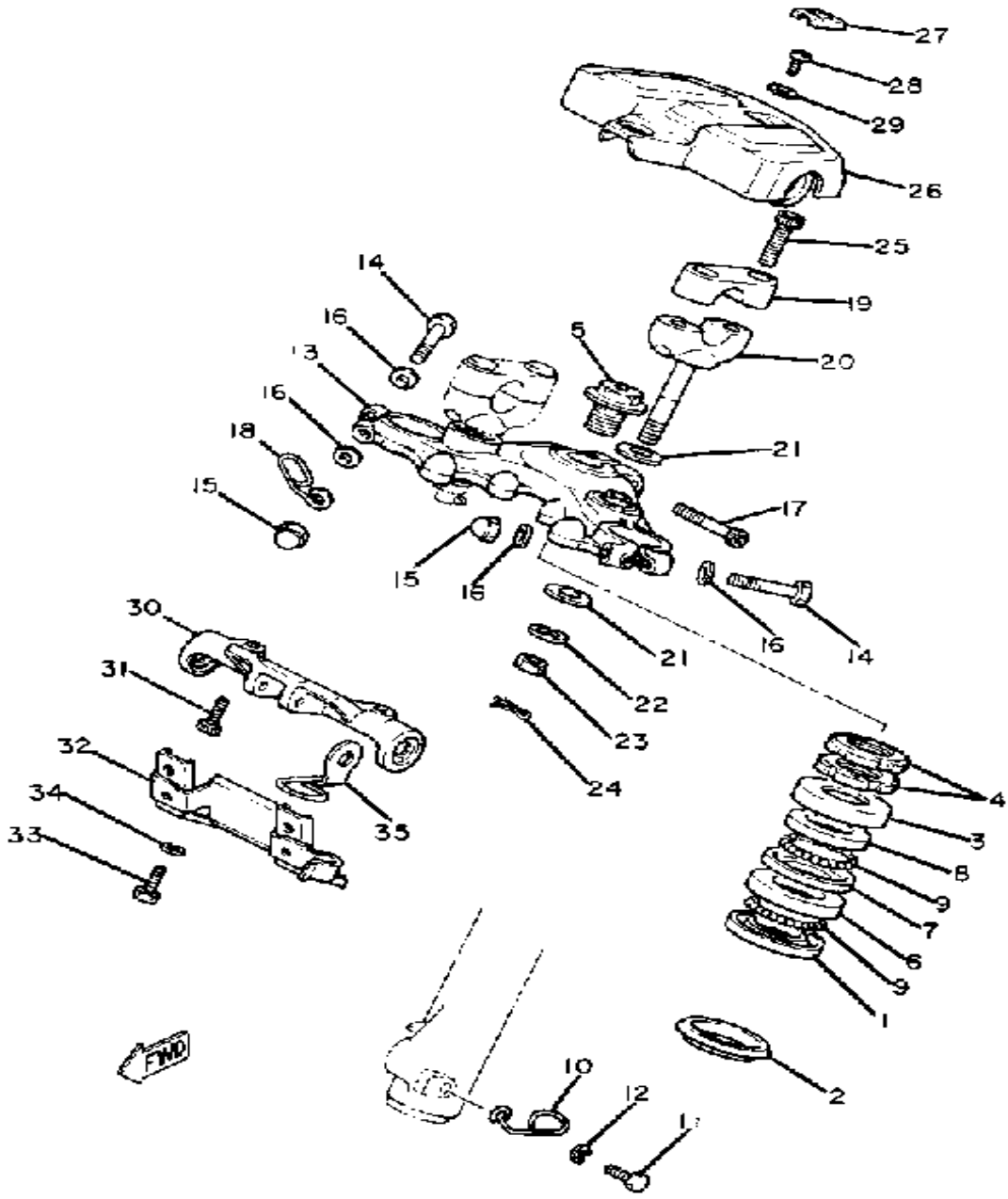
STEERING



Ref. No.	Part Number	Description	Qty	Remarks
1	256-23411-00-00	RACE, BALL 1	1	
2	164-23462-00-00	SEAL, STEERING	1	
3	4K0-23415-00-00	COVER, BALL RACE 1	1	
4	90179-25495-00	NUT, SPEC'L SHAPE	2	
5	90109-14602-00	BOLT	1	
6	256-23412-00-00	RACE, BALL 2	1	
7	256-23413-00-00	RACE, BALL 3	1	
8	256-23414-00-00	RACE, BALL 4	1	
9	93501-04011-00	BALL	38	
10	4H3-23318-00-00	HOLDER, CABLE 1	1	
11	97013-06012-00	BOLT	1	
12	92995-06100-00	WASHER, SPRING	1	
13	4X7-W2341-00-33	CROWN, HANDLE (4X7-W2341-00-98)	1	LOW GLOSS BLK
14	97026-08055-00	BOLT	2	
15	95306-08800-00	NUT (CROWN)	2	
16	92906-08600-00	WASHER	4	
17	91316-08040-00	BOLT, SOCKET HEAD	1	
18	4X7-23317-00-00	HOLDER, CABLE	1	
19	4H7-23441-00-98	HOLDER, HANDLE UPR	2	
20	3Y6-23442-00-98	HOLDER, HANDLE LOWER ...	2	
21	90201-100A1-00	WASHER, PLATE	4	
22	92990-10100-00	WASHER, SPRING	2	
23	95303-10700-00	NUT	2	
24	90468-12006-00	CLIP	2	
25	91316-08030-00	BOLT, SOCKET HEAD	4	
26	4X7-26213-00-00	COVER, UPPER	1	
27	4X7-26216-01-00	CAP, HANDLEBAR CVR	1	
28	98506-06016-00	SCREW, PANHEAD	1	

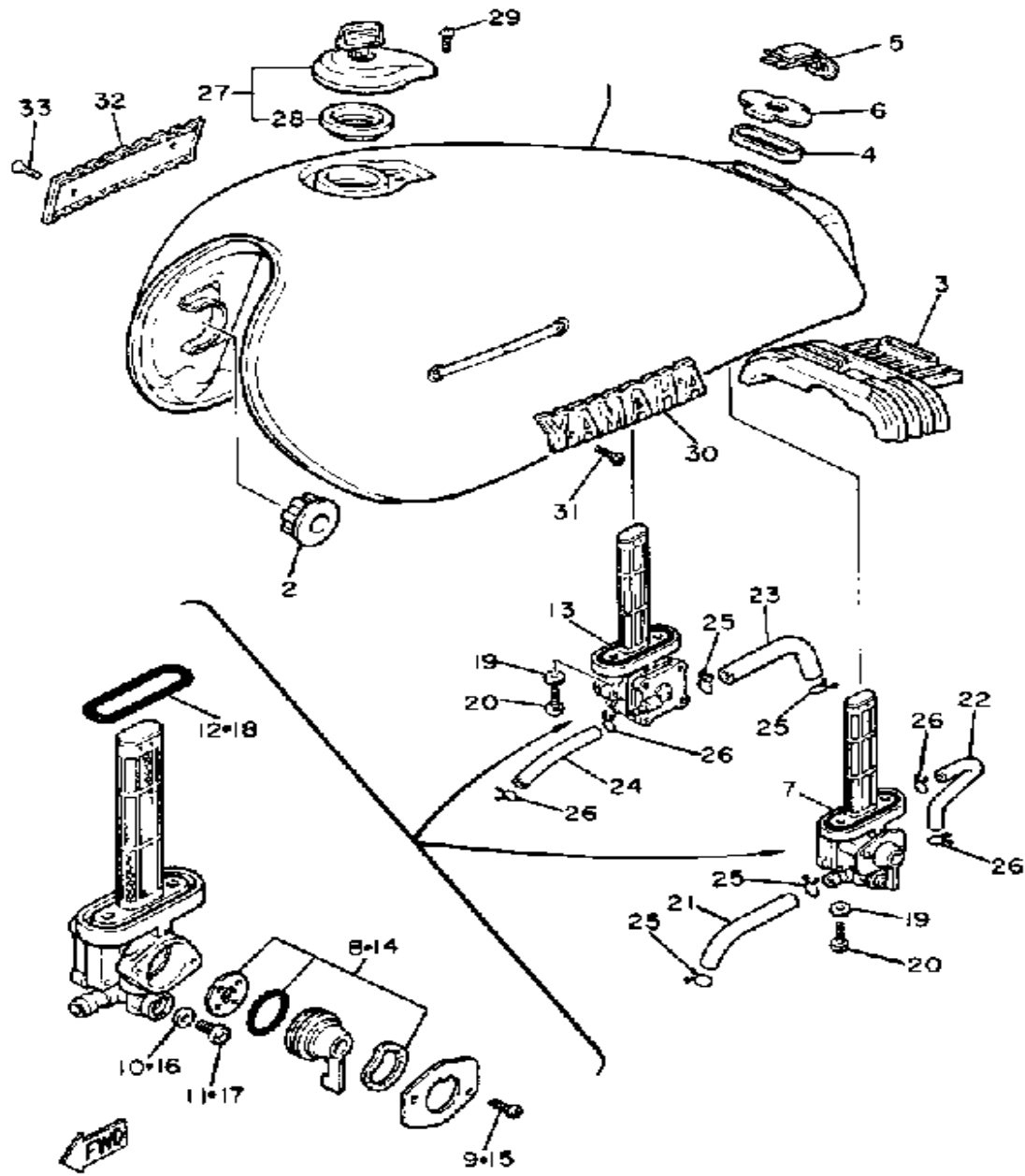
CONTINUED ON NEXT FRAME ►

STEERING



Ref. No.	Part Number	Description	Qty	Remarks
29	90201-06057-00	WASHER, PLATE	1	
30	4X7-23174-00-00	STAY, HEADLIGHT	1	
31	91316-08025-00	BOLT, SOCKET HEAD	2	
32	4X7-23377-00-00	BRACKET, HORN	1	
33	97016-08020-00	BOLT	2	
34	92906-08100-00	WASHER, SPRING	2	
35	4X7-23389-01-00	GUIDE, CABLE	1	

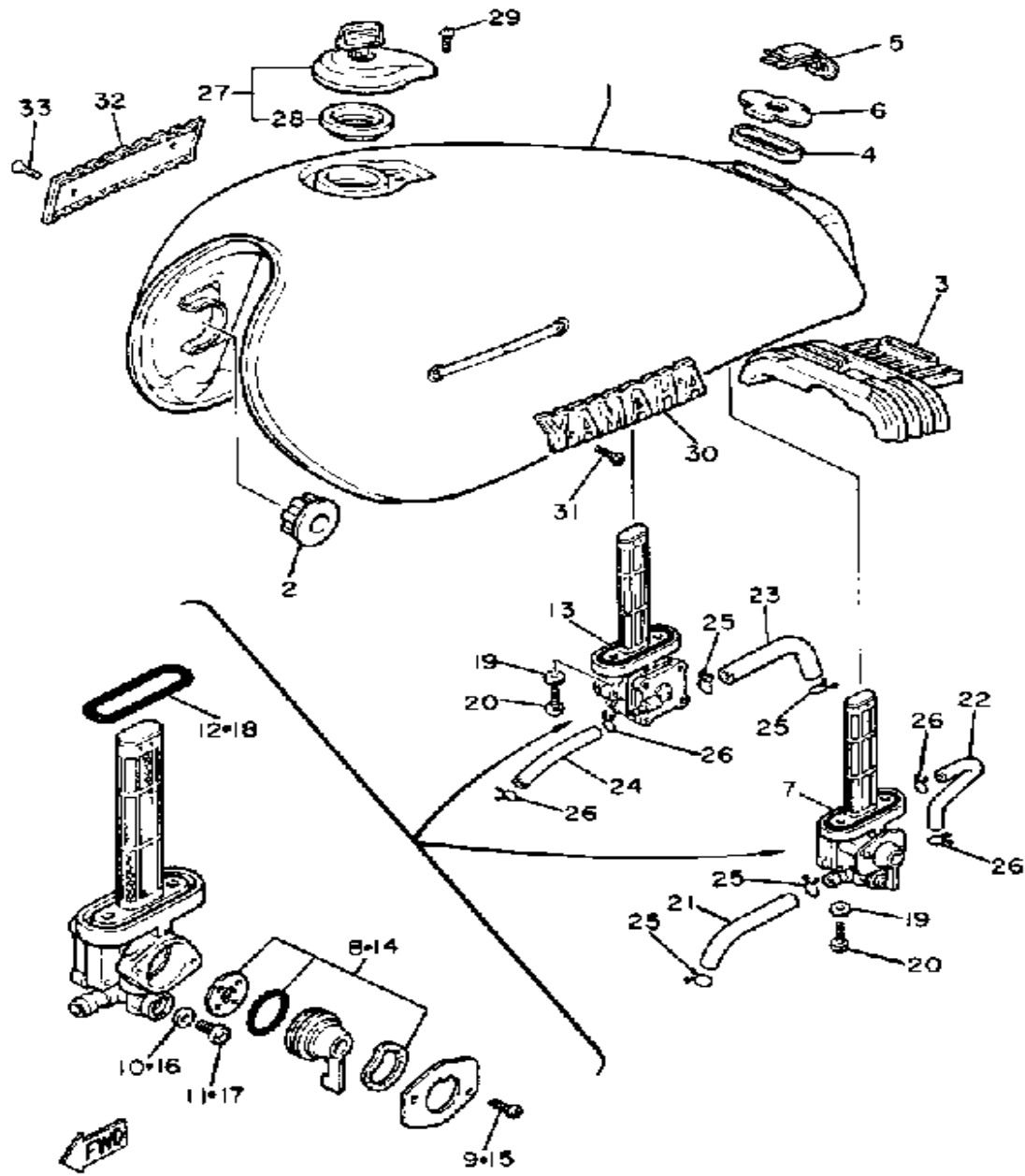
FUEL TANK



Ref. No.	Part Number	Description	Qty	Remarks
1	4X7-24110-01-6G	FUEL TANK	1	U.R. NEW YAMAHA BLK
	4X7-24110-01-7J	FUEL TANK	1	U.R. NEW RUBY RED
2	4H7-24181-00-00	DAMPER, LOCATING 1	2	
3	4X7-24182-01-00	DAMPER, LOCATING 2	1	
4	4K0-24183-00-00	DAMPER, LOCATING 3	1	
5	4X7-2411M-00-00	CLIP	1	
6	4K0-24186-00-00	WASHER, SPECIAL	1	
7	10L-24500-00-00	FUEL COCK ASSEMBLY 1	1	
8	10L-W0092-00-00	. FUEL COCK VLV SET	1	
9	98580-03008-00	. SCREW, PAN HEAD	2	
10	2G2-24522-00-00	. GASKET	1	
11	98580-06008-00	. SCREW, PAN HEAD	1	
12	2W6-24512-00-00	. O-RING	1	
13	10L-24500-00-00	FUEL COCK ASSEMBLY 1	1	
14	10L-W0092-00-00	. FUEL COCK VLV SET	1	
15	98580-03008-00	. SCREW, PAN HEAD	2	
16	2G2-24522-00-00	. GASKET	1	
17	98580-06008-00	. SCREW, PAN HEAD	1	
18	2W6-24512-00-00	. O-RING	1	
19	90202-05187-00	WASHER, PLATE	4	
20	90149-06011-00	SCREW	4	
21	90445-11542-00	HOSE	1	
22	90445-09578-00	HOSE	1	
23	4X7-24311-00-00	PIPE, FUEL 1	1	
24	90445-09578-00	HOSE	1	
25	90467-10008-00	CLIP	4	
26	90467-08003-00	CLIP	4	
27	4X7-24602-02-00	CAP ASSEMBLY	1	

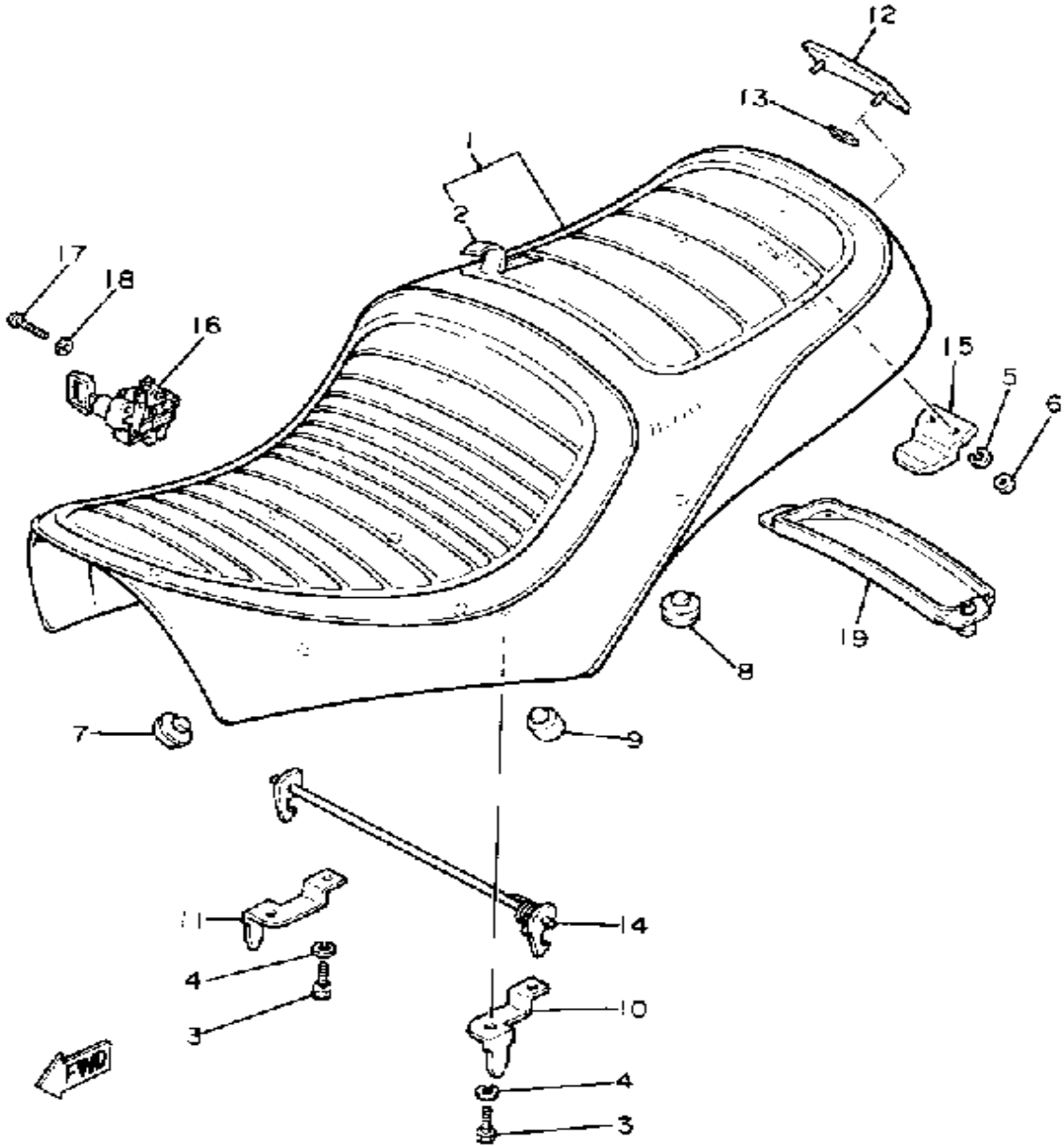
CONTINUED ON NEXT FRAME ►

FUEL TANK



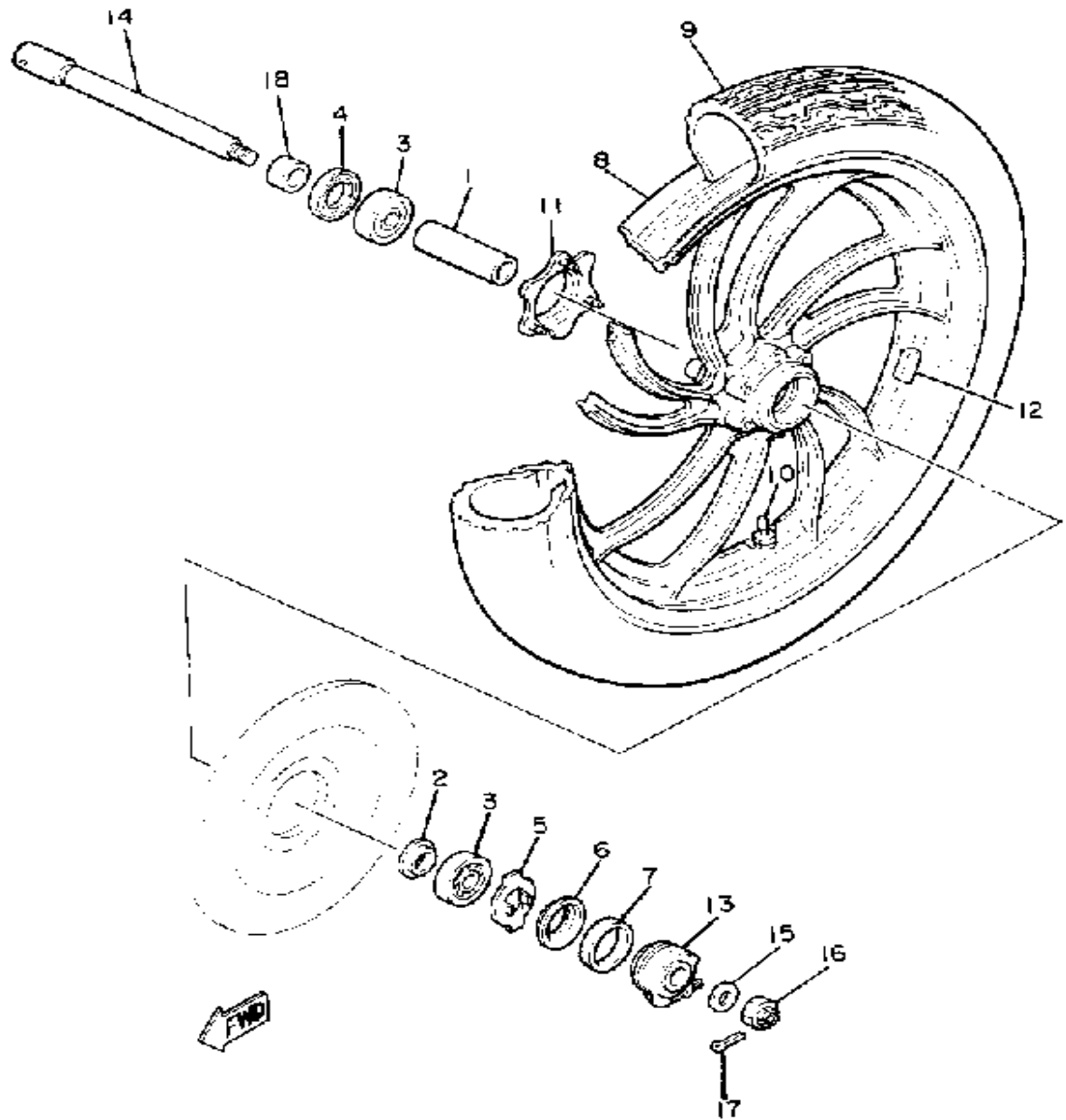
Ref. No.	Part Number	Description	Qty	Remarks
28	4X7-24612-00-00	. GASKET, CAP	1	
29	98580-05010-00	SCREW, PAN HEAD	1	
30	4X7-24161-00-00	EMBLEM 1	1	
31	90152-04006-00	SCREW, COUNTERSUNK	2	
32	4X7-24162-00-00	EMBLEM 2	1	
33	90152-04006-00	SCREW, COUNTERSUNK	2	

SEAT



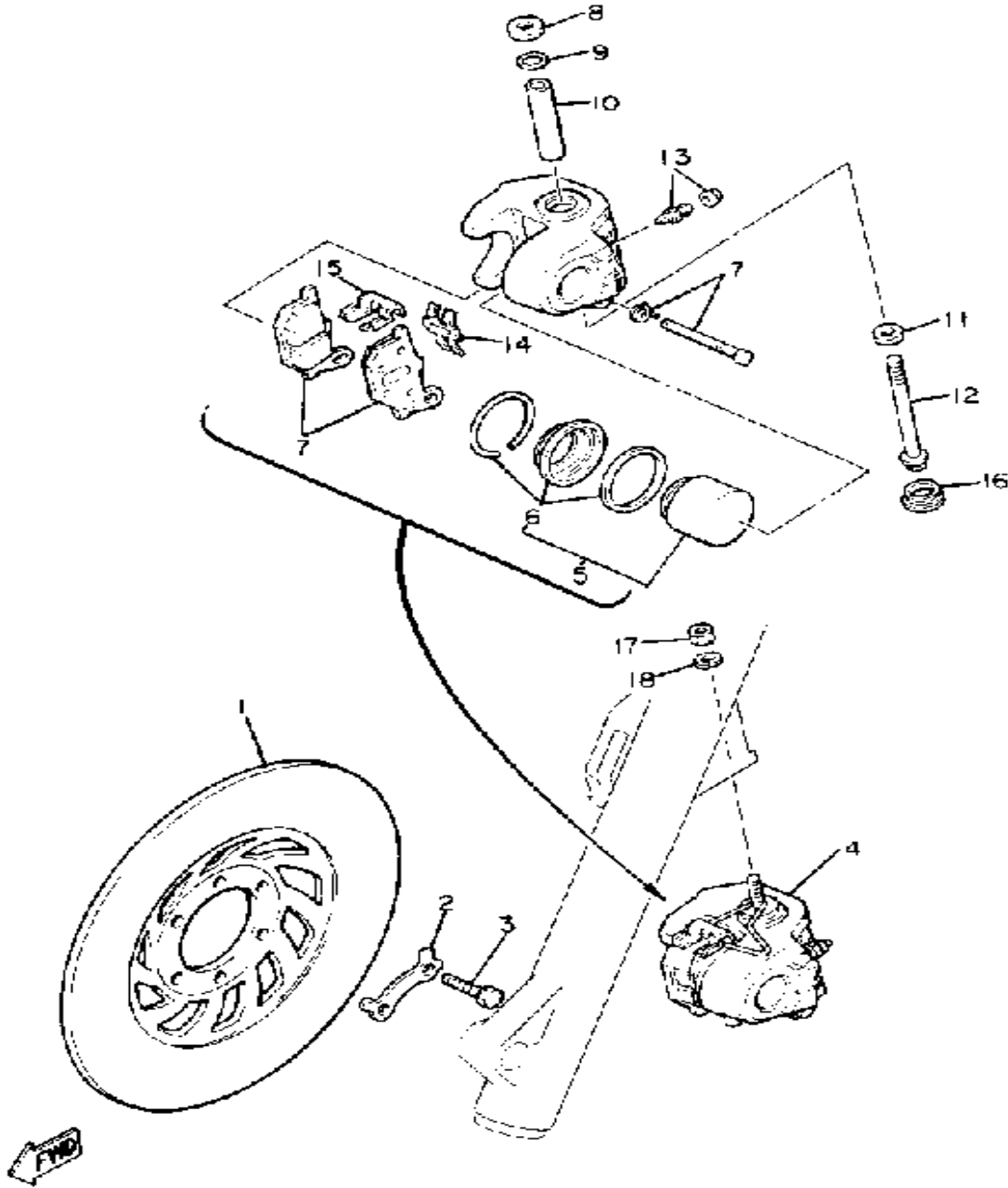
Ref. No.	Part Number	Description	Qty	Remarks
1	5G5-W2472-00-00	DOUBLE SEAT ASSEMBLY (4X7-W2472-00)	1	
2	4X7-24731-00-00	. COVER, DOUBLE SEAT	1	
3	97313-06016-00	BOLT, HEXAGON	4	
4	92995-06100-00	WASHER, SPRING	4	
5	92995-06100-00	WASHER, SPRING	2	
6	95380-06600-00	NUT	2	
7	1L9-24741-00-00	PAD, SEAT	5	
8	1T4-24741-00-00	PAD, SEAT	2	
9	371-27114-00-00	STOPPER, MAIN STAND	2	
10	4X7-24728-00-00	BRACKET, SEAT	1	
11	4X7-24738-00-00	BRACKET, SEAT	1	
12	25G-24786-00-00	EMBLEM	1	
13	90183-04005-00	NUT, SPRING	2	
14	4X7-24776-01-00	LEVER, SEAT	1	
15	4X7-24748-00-00	BRACKET, SEAT	1	
16	4X7-24705-00-00	SEAT LOCK ASSEMBLY	1	
17	98503-06014-00	SCREW, PAN HEAD (92502-06016)	2	
18	92901-06600-00	WASHER	2	
19	4X7-2473T-02-00	LID 1	1	

FRONT WHEEL



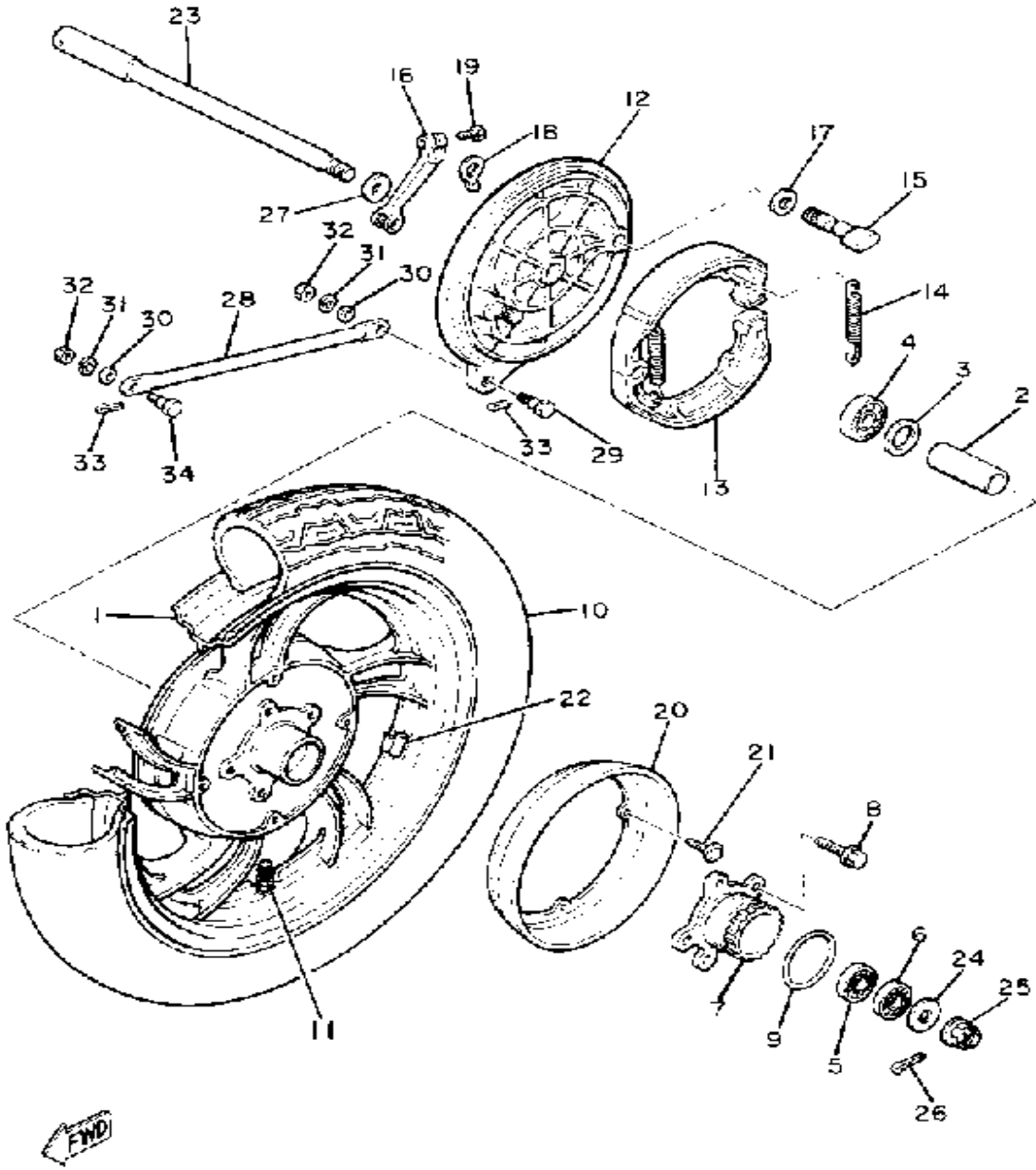
Ref. No.	Part Number	Description	Qty	Remarks
1	90560-15116-00	SPACER	1	
2	146-25115-00-00	FLANGE, SPACER 1	1	
3	93306-30202-00	BEARING	2	
4	93102-22014-00	OIL SEAL	1	
5	341-25149-00-00	CLUTCH, METER	1	
6	341-25846-00-00	RETAINER, CLUTCH	1	
7	93105-45017-00	OIL SEAL	1	
8	4H7-25168-29-98	WHEEL, CAST FRONT	1	LOW GLOSS BLK
9	94135-19498-00	350H19 L303 TL	1	
10	93900-00001-00	VALVE, RIM	1	
11	1U4-25847-00-00	COVER, HOUSING	1	
12	1A1-25398-01-00	BALANCER, WHEEL	1	U.N.
	1A1-25399-00-00	BALANCER, WHEEL	1	U.N.
	2M0-25399-00-00	BALANCER, WHEEL	1	U.N.
13	4H7-25190-00-00	GEAR UNIT ASSEMBLY	1	
14	4H7-25181-01-00	AXLE, WHEEL	1	
15	92990-14200-00	WASHER, PLAIN	1	
16	90171-14020-00	NUT, CASTLE	1	
17	91401-30030-00	PIN, COTTER	1	
18	90387-15734-00	COLLAR	1	

FRONT BRAKE-CALIPER



Ref. No.	Part Number	Description	Qty	Remarks
1	(1J3-25831-00-00)	DISC, BRAKE	1	
2	1J3-25834-01-00	WASHER, LOCK	3	
3	90101-08312-00	BOLT	6	
4	4H7-25810-12-00	CALIPER ASSEMBLY LH (LEFT) (4H7-25810-11)	1	
5	2G2-W0057-00-00	. PISTON ASSEMBLY, CALIPER	1	
6	2G2-W0047-00-00	. . CALIPER SEAL KIT	1	
7	4H7-W0045-12-00	. BRAKE PAD KIT, FRNT (4H7-W0045-10)	1	
8	90201-08689-00	. WASHER, PLATE	1	
9	2G2-W0044-00-00	. O-RING KIT, CALIPER	1	
10	2G2-25838-00-00	. SLEEVE, CALIPER	1	
11	90201-09690-00	. WASHER, PLATE	1	
12	2G2-25821-00-00	. BOLT 1	1	
13	1J3-W0048-00-00	. BLEED SCREW KIT	1	
14	2G2-25919-00-00	. SUPPORT, PAD	1	
15	2G2-25849-01-00	. RETAINER, CALIPER	1	
16	2G2-25916-00-00	. PLUG	1	
17	95333-08600-00	NUT	1	
18	92990-08100-00	WASHER	1	

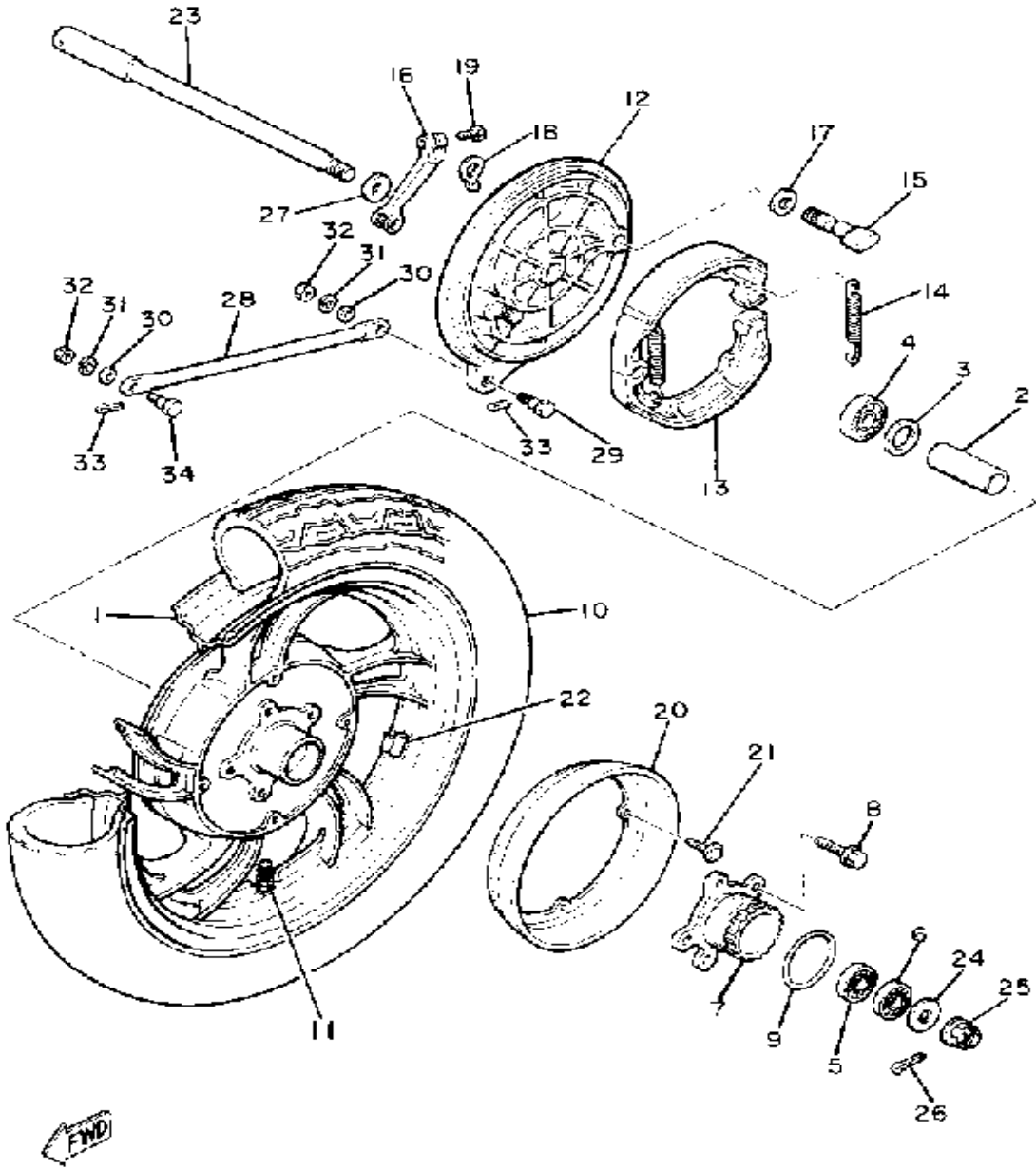
REAR WHEEL



Ref. No.	Part Number	Description	Qty	Remarks
1	(4H7-25338-29-98)	WHEEL, CAST REAR	1	LOW GLOSS BLK
2	90560-17125-00	SPACER	1	
3	146-25315-00-00	FLANGE, SPACER	1	
4	93306-30309-00	BEARING	1	
5	93306-20310-00	BEARING	1	
6	93306-20310-00	BEARING	1	
7	4H7-25366-01-00	CLUTCH, HUB	1	
8	95811-10025-00	BOLT, FLANGE	5	
9	93210-57428-00	O-RING	1	
10	94113-161J2-00	130/90-16 G528 BS	1	
11	93900-00001-00	VALVE, RIM	1	
12	4H7-25321-00-00	PLATE, BRAKE SHOE	1	
13	4H7-W2536-00-00	BRAKESHOE SET-2PCS	2	
14	90507-20002-00	SPRING, TENSION	2	
15	4H7-25351-00-00	CAMSHAFT	1	
16	1L9-25355-00-00	LEVER, CAMSHAFT	1	
17	90201-14218-00	WASHER, PLATE	1	
18	4H7-2533A-02-00	PLATE, INDICATOR	1	
19	90101-06291-00	BOLT	1	
20	4H7-25327-00-00	COVER, PLATE	1	
21	90159-05018-00	SCREW, WITH WASHER	4	
22	1A1-25398-01-00	BALANCER, WHEEL	1	U.N.
	1A1-25399-00-00	BALANCER, WHEEL	1	U.N.
	2M0-25399-00-00	BALANCER, WHEEL	1	U.N.
23	4H7-25381-00-00	AXLE, WHEEL	1	
24	90201-144J5-00	WASHER, PLATE	1	
25	90171-14031-00	NUT, CASTLE	1	
26	91401-30030-00	PIN, COTTER	1	
27	56W-25377-00-00	COLLAR, WHEEL	1	

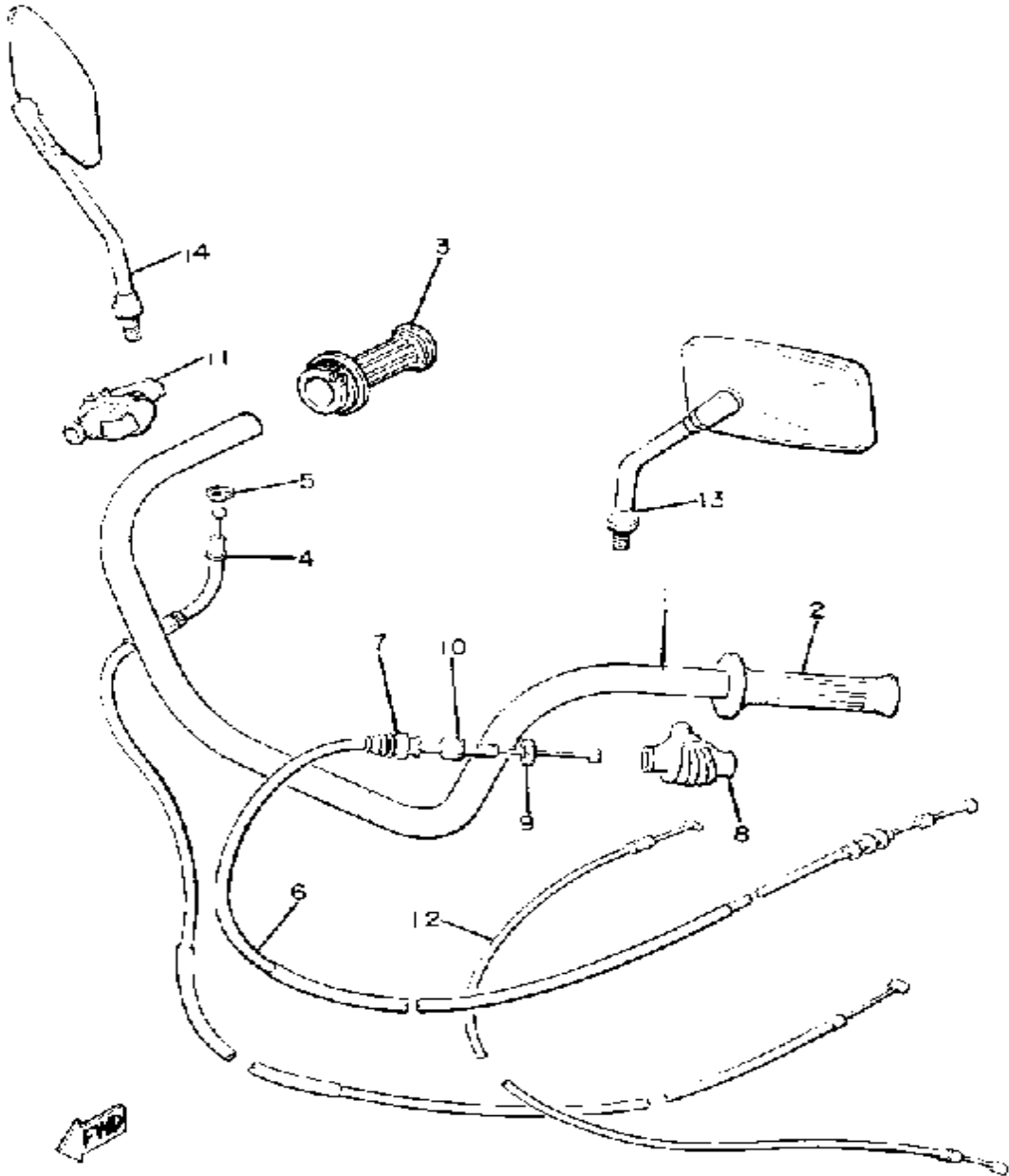
CONTINUED ON NEXT FRAME ➤

REAR WHEEL



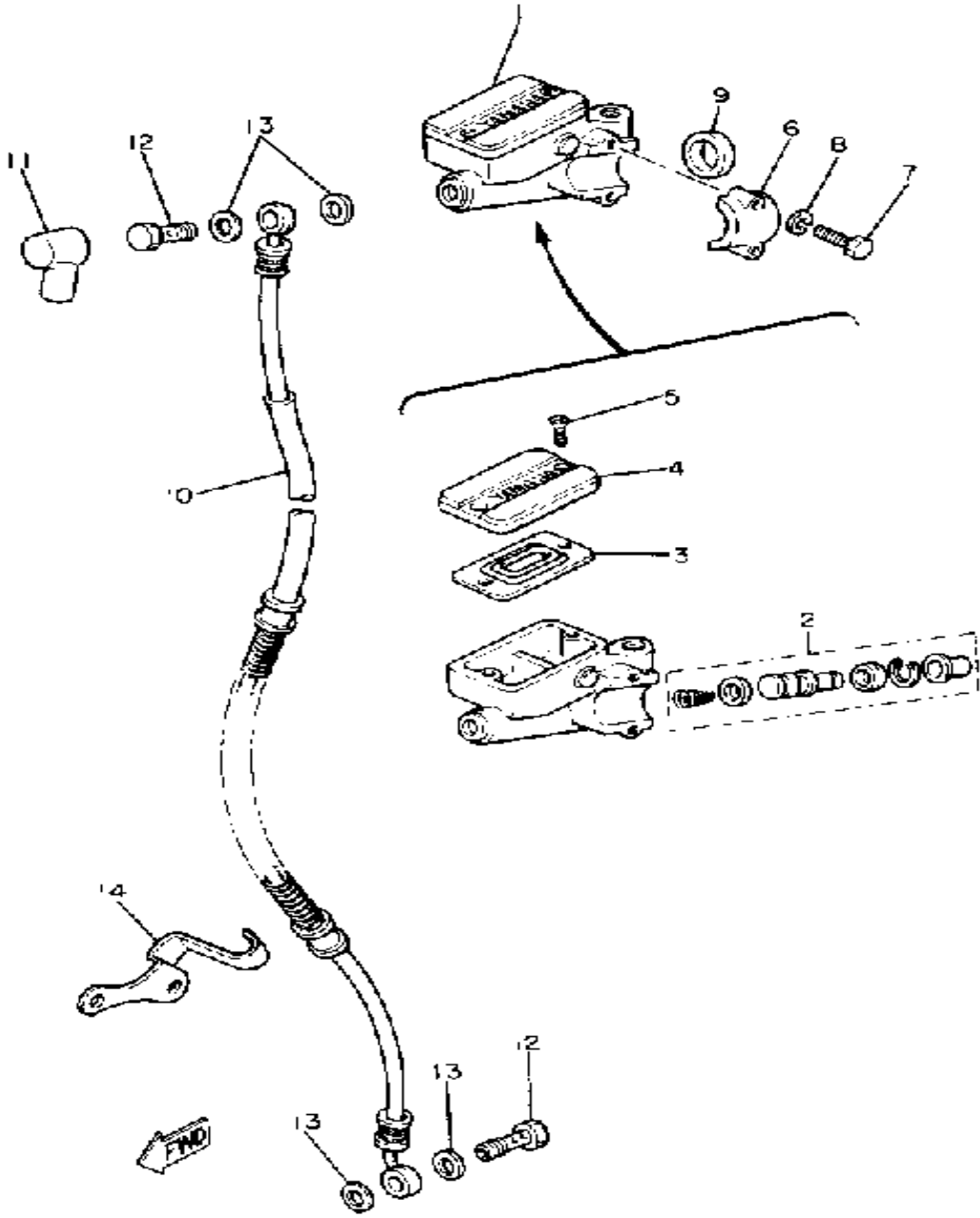
Ref. No.	Part Number	Description	Qty	Remarks
28	4X7-25371-00-00	BAR, TENSION	1	
29	90109-08406-00	BOLT	1	
30	92901-08600-00	WASHER	2	
31	92990-08100-00	WASHER	2	
32	95303-08700-00	NUT	2	
33	91490-20020-00	PIN, COTTER	2	
34	90109-08368-00	BOLT	1	

HANDLEBAR-CABLE



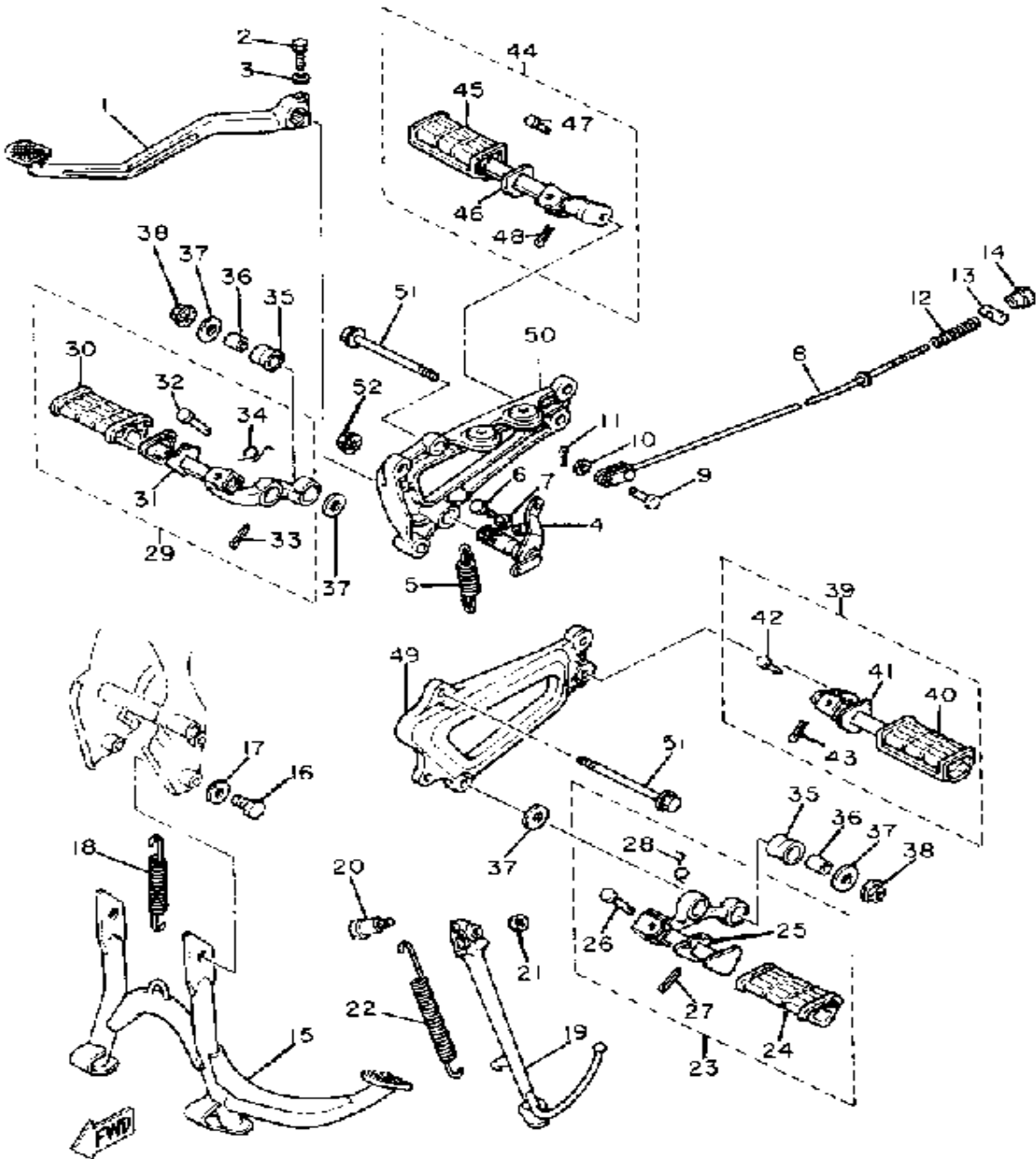
Ref. No.	Part Number	Description	Qty	Remarks
1	4X7-W2611-01-00	HANDLEBAR	1	
2	2H7-26241-00-00	GRIP LH	1	
3	2H7-26240-00-00	GRIP ASSEMBLY RH	1	
4	5G5-26311-00-00	CABLE, THROTTLE 1 (20X-26311-00)	1	
5	584-26393-02-00	HOLDER	1	
6	20X-26335-00-00	CABLE, CLUTCH	1	
7	1E6-26342-00-00	BOOT, CABLE	1	
8	1E6-26372-00-00	COVER, HANDLE LEVER 1 ...	1	
9	90179-08148-00	NUT	1	
10	90123-08046-00	BOLT	1	
11	1T5-26372-00-00	COVER, HANDLE LEVER	1	
12	20X-26331-00-00	CABLE, STARTER 1	1	
13	4H7-26290-10-00	BACK MIRROR ASSEMBLY (LEFT)	1	
14	4H7-26290-00-00	BACK MIRROR ASSEMBLY (RIGHT)	1	

FRONT MASTER CYLINDER



Ref. No.	Part Number	Description	Qty	Remarks
1	4H7-25850-02-00	MASTER CYLINDER ASSEMBLY	1	
2	4H7-W0041-00-00	. CYLINDER KIT, MASTER	1	
3	4L0-25854-00-00	. DIAPHRAGM, RESERVOIR	1	
4	4H7-25852-00-00	. CAP, RESERVOIR	1	
5	98706-04010-00	. SCREW, FLAT HEAD	2	
6	4L0-25867-00-00	BRACKET, MASTER CYLINDER	1	
7	97016-06025-00	BOLT	2	
8	92906-06100-00	WASHER, SPRING	2	
9	90387-22660-00	COLLAR	1	
10	4X7-25872-00-00	HOSE, BRAKE 1	1	
11	306-25862-00-00	BOOT, MASTER CYLINDER	1	
12	90401-10034-00	BOLT, UNION	2	
13	90201-10118-00	WASHER, PLATE	4	
14	4E2-25875-00-00	HOLDER, BRKE HOSE 1	1	

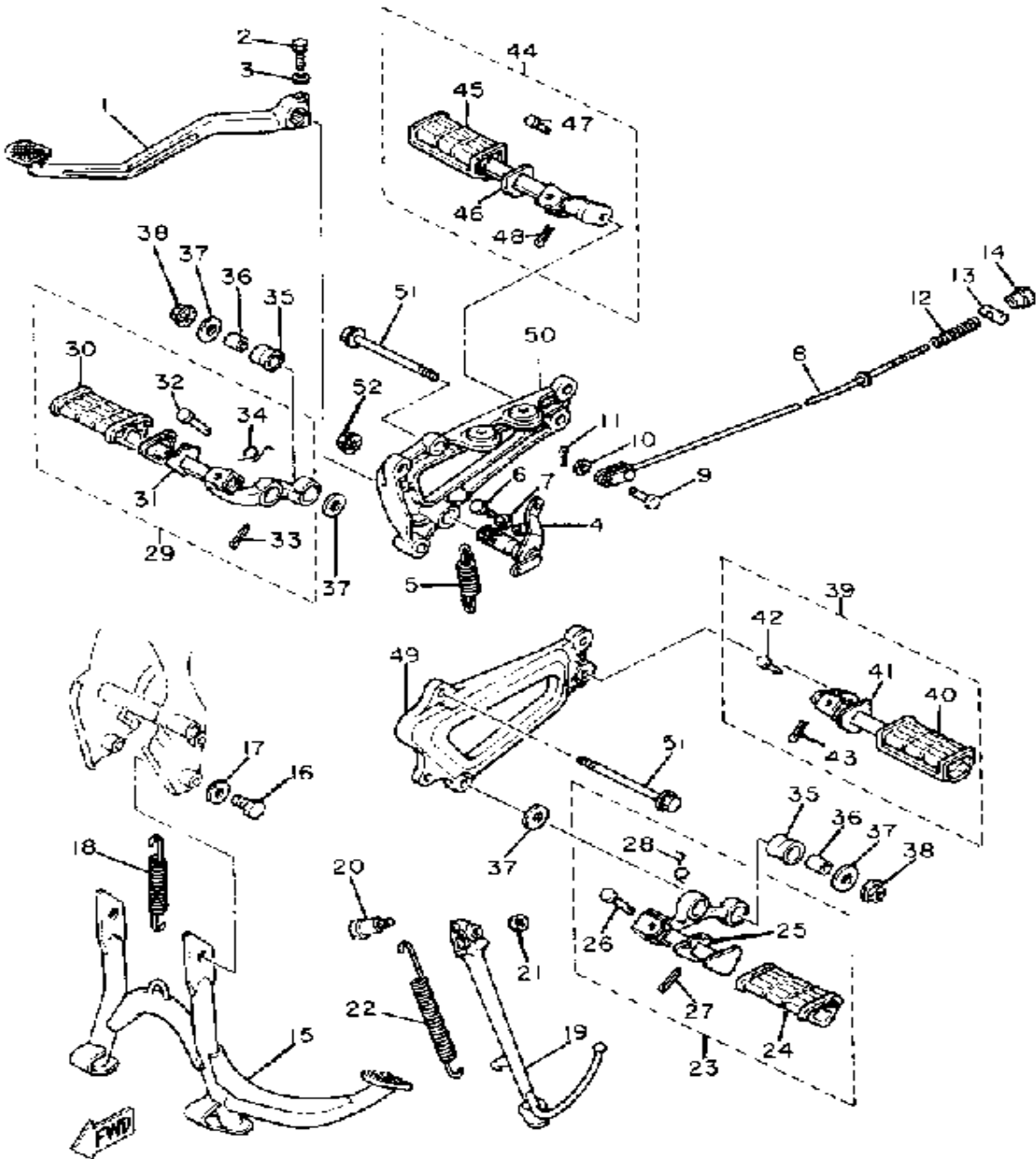
STAND-FOOTREST



Ref. No.	Part Number	Description	Qty	Remarks
1	4X7-27211-00-93	PEDAL, BRAKE	1	CHROME PLATED
2	90109-06468-00	BOLT	1	
3	92995-06100-00	WASHER, SPRING	1	
4	4X7-27212-00-00	SHAFT, BRAKE PEDAL	1	
5	90506-26178-00	SPRING, TENSION	1	
6	90153-06018-00	SCREW, HEXAGON	1	
7	90170-06184-00	NUT, HEXAGON	1	
8	4X7-27231-00-00	ROD, BRAKE	1	
9	90240-06103-00	PIN, CLEVIS	1	
10	92990-06200-00	WASHER	1	
11	91490-20020-00	PIN, COTTER	1	
12	90501-10245-00	SPRING, COMPRESSION	1	
13	90249-12008-00	PIN	1	
14	90179-06411-00	NUT	1	
15	4X7-27111-00-R4	STAND, MAIN	1	BLACK
16	97011-10016-00	BOLT, HEXAGON	2	
17	90201-10752-00	WASHER, PLATE	2	
18	90506-35149-00	SPRING, TENSION	1	
19	4X7-27311-00-R4	STAND, SIDE	1	BLACK
20	90109-103A1-00	BOLT	1	
21	95303-10700-00	NUT	1	
22	90507-29009-00	SPRING, TENSION	1	
23	4X7-27410-00-93	FRT FOOTREST ASSEMBLY L	1	CHROME PLATED
24	4X7-27413-00-00	. COVER, FOOTREST	1	
25	4X7-27417-00-00	. WASHER, FOOTREST	1	
26	90240-08063-00	. PIN, CLEVIS	1	
27	91401-30020-00	. PIN, COTTER	1	
28	90508-20023-00	. SPRING, TORSION	1	
29	4X7-27420-00-93	FRT FOOTREST ASSEMBLY R	1	CHROME PLATED

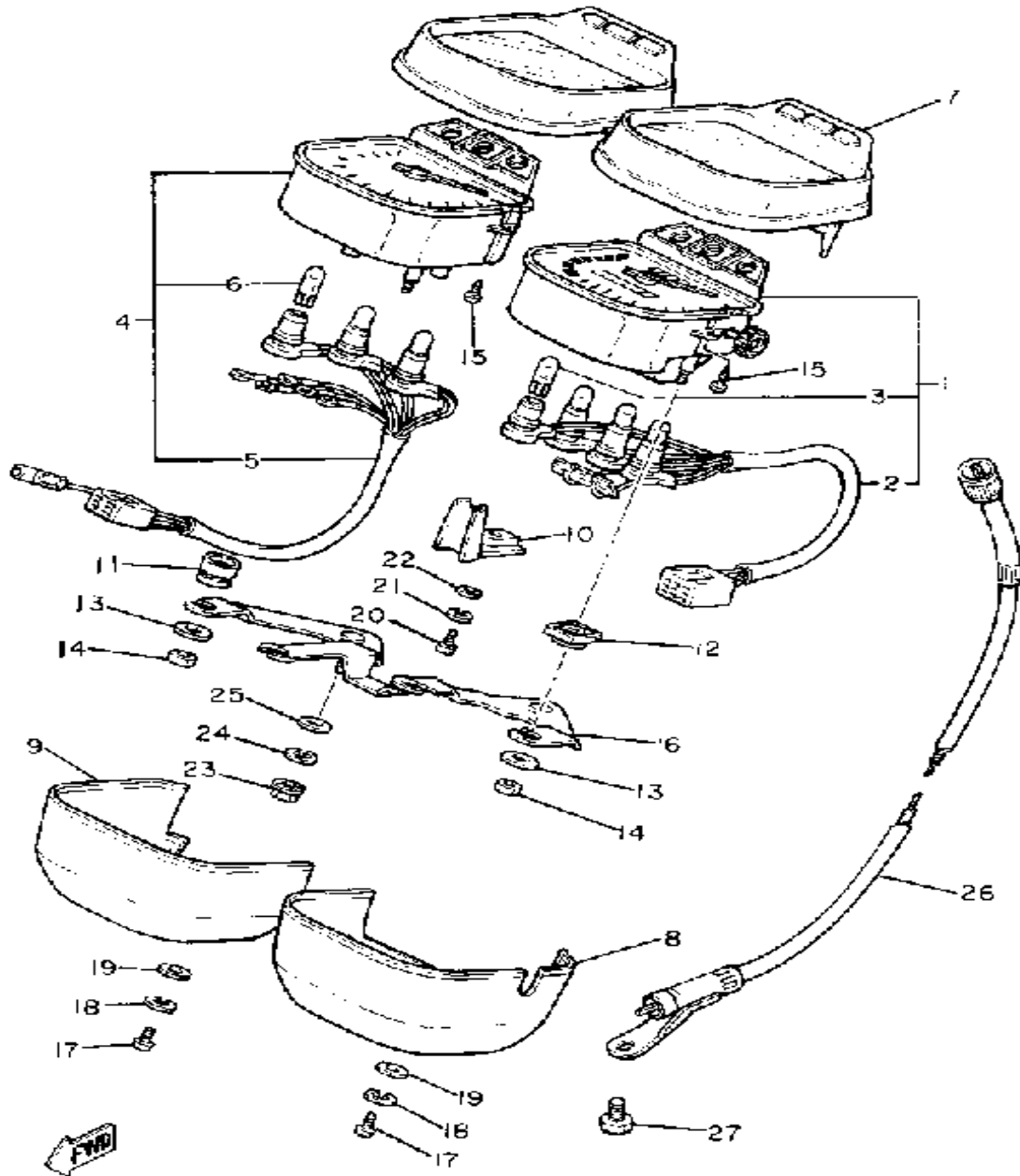
CONTINUED ON NEXT FRAME ➤

STAND-FOOTREST



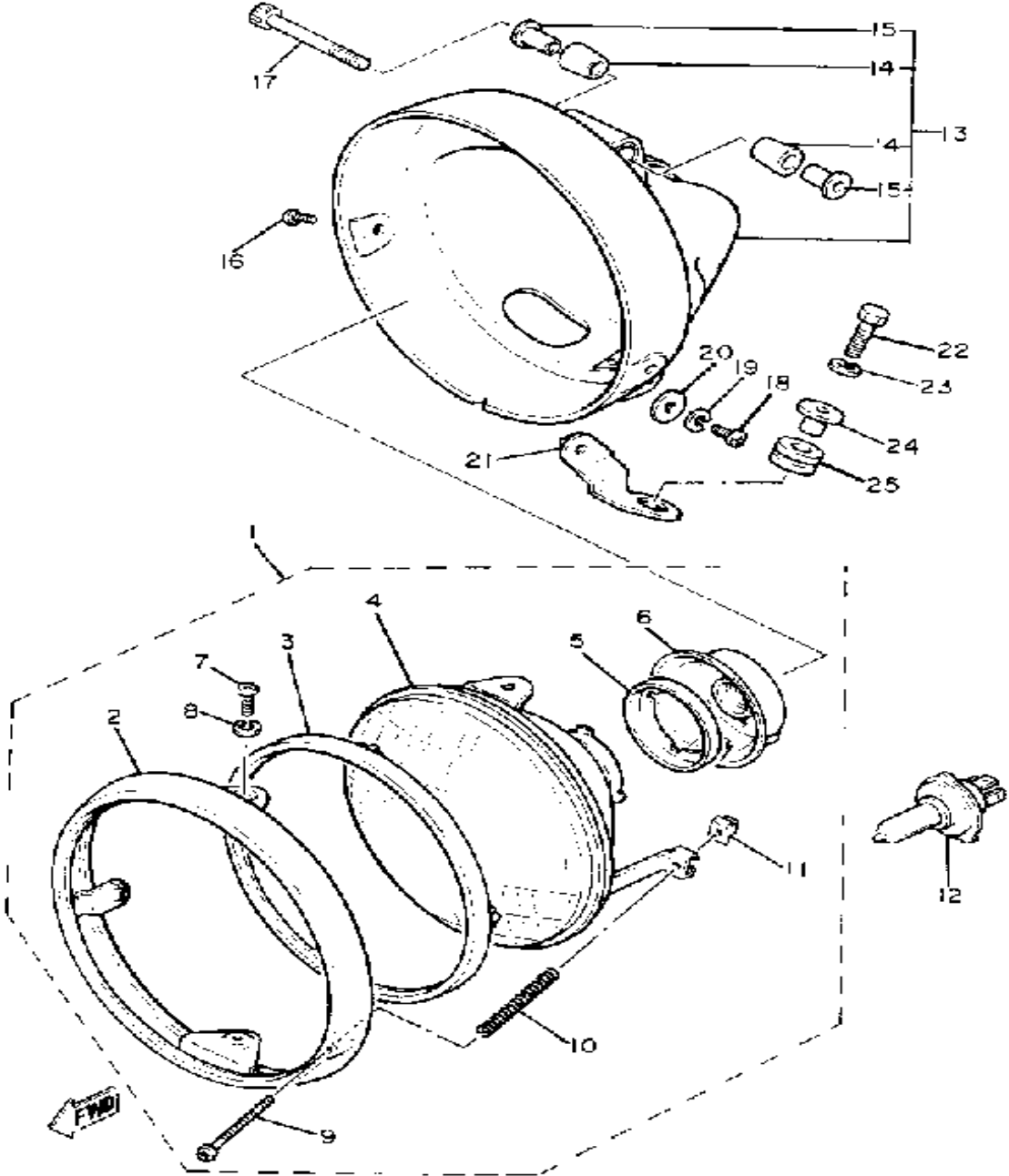
Ref. No.	Part Number	Description	Qty	Remarks
30	4X7-27413-00-00	. COVER, FOOTREST	1	
31	4X7-27417-00-00	. WASHER, FOOTREST	1	
32	90240-08063-00	. PIN, CLEVIS	1	
33	91401-30020-00	. PIN, COTTER	1	
34	90508-20155-00	. SPRING, TORSION	1	
35	4X7-27414-00-00	DAMPER, FOOTREST	4	
36	90387-107A7-00	COLLAR	4	
37	90201-105A2-00	WASHER, PLATE	8	
38	90179-10247-00	NUT	4	
39	4X7-27430-00-00	RR FOOTREST ASSEMBLY 1	1	
40	3H5-27433-00-00	. COVER, RR FOOTREST	1	
41	90209-18190-00	. WASHER, SPEC'L SHAP	1	
42	91701-06035-00	. PIN, CLEVIS	1	
43	91490-16020-00	. PIN, COTTER	1	
44	4X7-27440-00-00	RR FOOTREST ASSEMBLY 2	1	
45	3H5-27444-00-00	. COVER, RR FOOTREST	1	
46	90209-18190-00	. WASHER, SPEC'L SHAP	1	
47	91701-06035-00	. PIN, CLEVIS	1	
48	91490-16020-00	. PIN, COTTER	1	
49	(4X7-27442-00-00)	BRACKET 2	1	
50	4X7-27443-00-00	BRACKET 3	1	
51	90105-10184-00	BOLT, WASHER BASED	2	
52	90179-10247-00	NUT	1	

METER



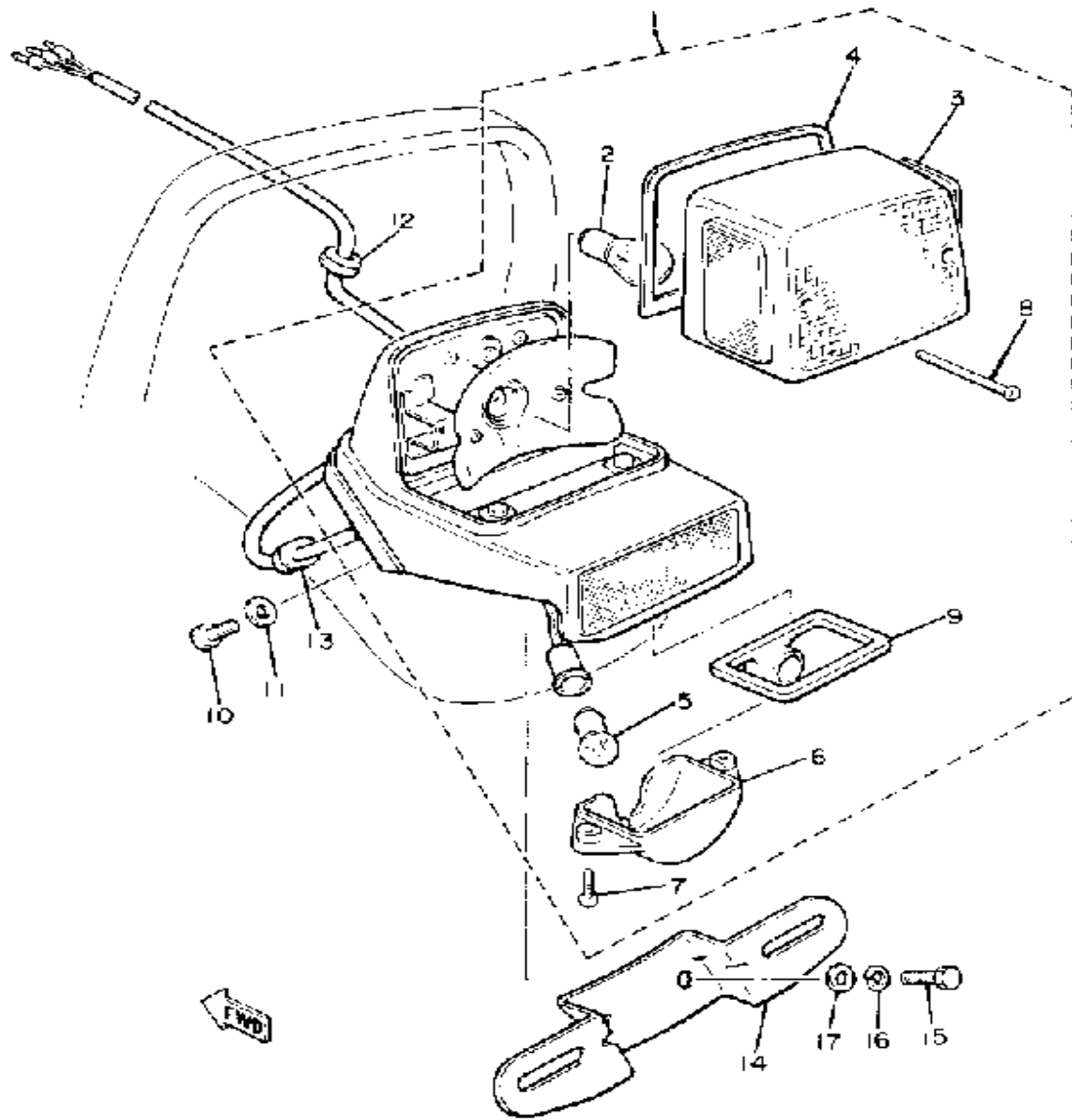
Ref. No.	Part Number	Description	Qty	Remarks
1	4X7-83570-A0-00	SPEEDOMETER ASSEMBLY ..	1	
2	4X7-83536-00-00	. SOCKET, METER	1	
3	4G1-84744-00-00	. BULB, MTR.12V3.4W	4	
4	5E5-83540-00-00	TACHOMETER ASSEMBLY (4X7-83540-00)	1	
5	4X7-83520-00-00	. SOCKET CORD ASSEMBLY .	1	
6	4G1-84744-00-00	. BULB, MTR.12V3.4W	3	
7	4X7-83559-A0-00	COVER, METER	1	
8	4X7-83507-00-00	COVER, SPEEDOMETER	1	
9	4X7-83508-00-00	COVER, TACHOMETER	1	
10	4X7-83579-00-00	COVER, METER 2	1	
11	4X7-83523-00-00	DAMPER	2	
12	4H7-83523-00-00	DAMPER	2	
13	90201-052E2-00	WASHER, PLATE	4	
14	95380-05600-00	NUT	4	
15	4H7-83616-00-00	SCREW, TAPPING	4	
16	4X7-83519-00-00	BRACKET, METER	1	
17	98580-04010-00	SCREW, PAN HEAD	4	
18	92901-04100-00	WASHER, SPRING	4	
19	92901-04600-00	WASHER, PLATE	4	
20	98506-04008-00	SCREW, PAN HEAD	1	
21	92906-04100-00	WASHER, SPRING	1	
22	92906-04600-00	WASHER, PLATE	1	
23	95316-06600-00	NUT	2	
24	92906-06100-00	WASHER, SPRING	2	
25	92906-06200-00	WASHER	2	
26	20X-83550-00-00	SPEEDOMETER CABLE	1	
27	90153-06004-00	SCREW, HEXAGON	1	

HEADLIGHT



Ref. No.	Part Number	Description	Qty	Remarks
1	4X7-84303-A0-00	HEADLIGHT UNIT ASSEMBLY	1	
2	4X7-84315-00-00	. RIM, HEADLIGHT	1	
3	4X7-84395-00-00	. RING, RETAINING	1	
4	4X7-84321-A0-00	. LENS, HEADLIGHT	1	
5	2F9-84375-00-00	. SETTING PLATE, BULB	1	
6	2F9-84397-01-00	. COVER, SOCKET	1	
7	98580-05010-00	. SCREW, PAN HEAD	2	
8	92990-05100-00	. WASHER, SPRING	2	
9	90157-04001-00	. SCREW, PAN HEAD	1	
10	1A0-84332-60-00	. SPRING, SCREW	1	
11	198-84334-60-00	. NUT, ADJUSTING	1	
12	5V2-84314-00-XX	BULB, HL 12V60/55W (2F9-84314-00)	1	
13	4X7-84330-00-93	BODY ASSEMBLY	1	CHROME PLATED
14	(4X7-84345-00-00)	DAMPER, HEADLIGHT	2	
15	4X7-84307-00-00	. COLLAR	2	
16	98580-05010-00	SCREW, PAN HEAD	2	
17	91316-08060-00	BOLT, SOCKET HEAD	1	
18	98506-06016-00	SCREW, PANHEAD	1	
19	92906-06100-00	WASHER, SPRING	1	
20	90201-06067-00	WASHER, PLATE	1	
21	4X7-84318-00-00	STAY, HEADLIGHT 1	1	
22	97016-06020-00	BOLT	1	
23	92906-06100-00	WASHER, SPRING	1	
24	90387-06024-00	COLLAR	1	
25	90480-12475-00	GROMMET	1	

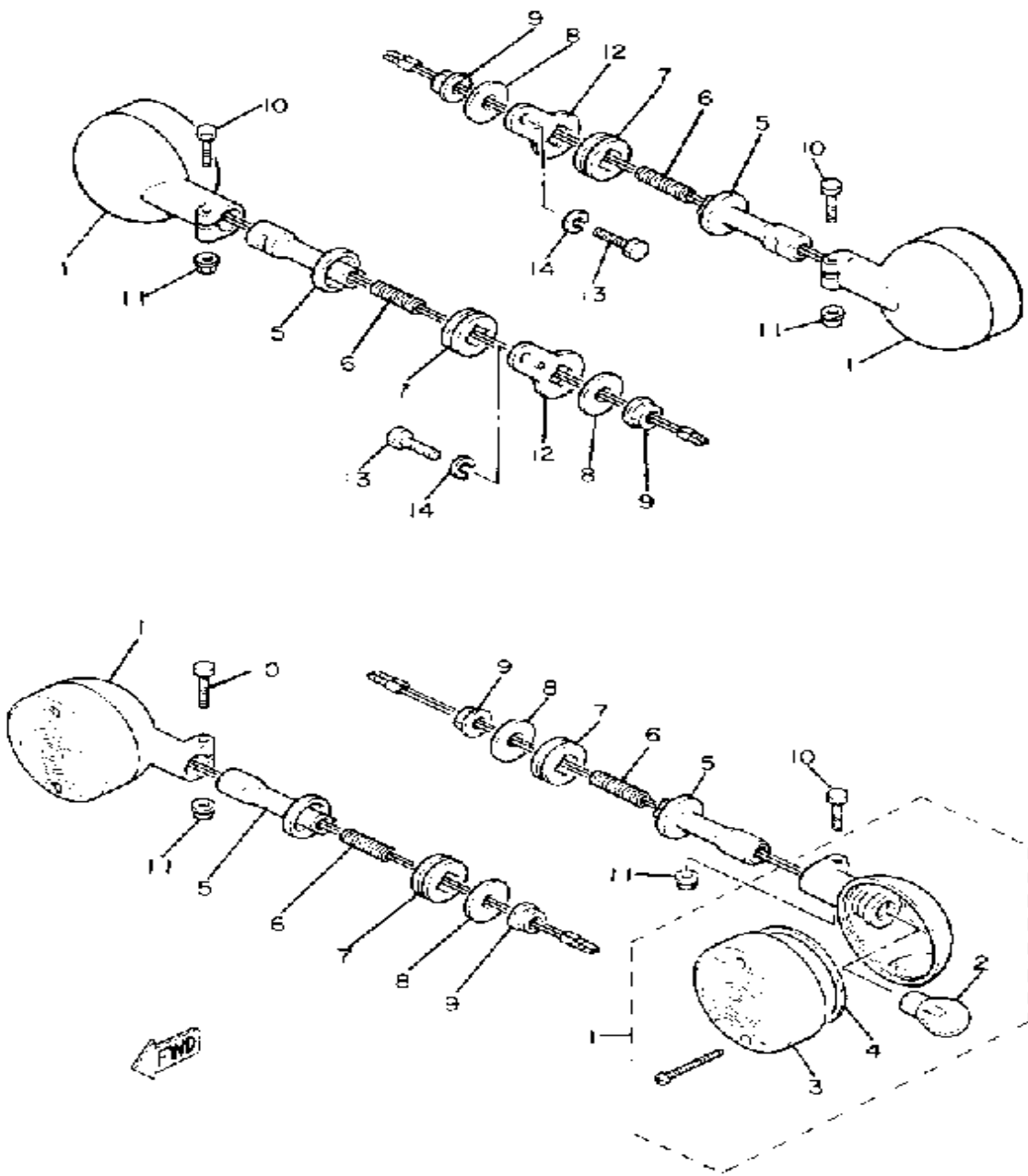
TAILLIGHT



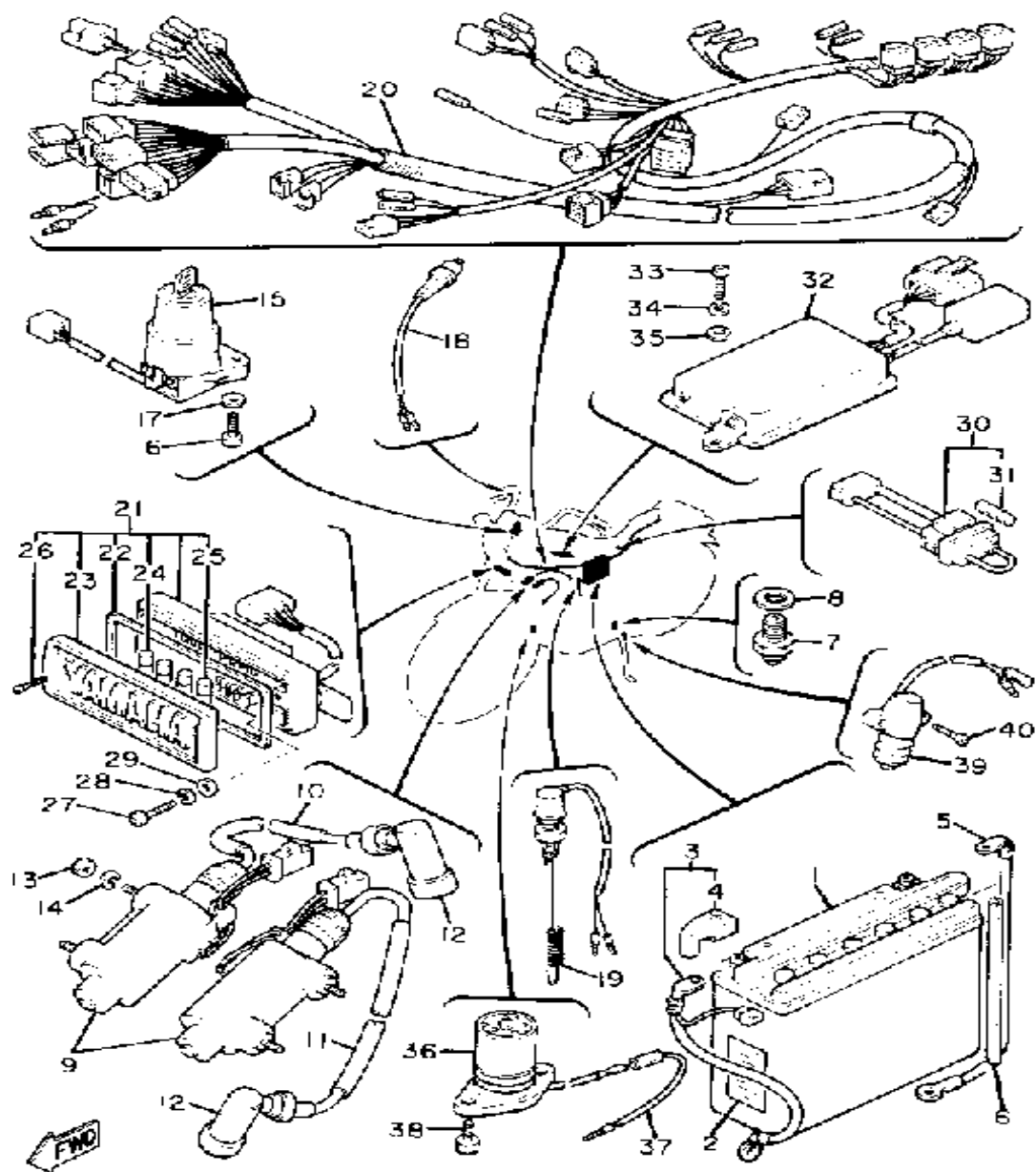
Ref. No.	Part Number	Description	Qty	Remarks
1	4H7-84700-60-93	TAILLIGHT ASSEMBLY	1	
2	256-84714-61-00	. BULB (12V-27/8W)	1	
3	4H7-84721-60-00	. LENS, TAILLIGHT	1	
4	4H7-84723-00-00	. GASKET, TAIL LENS	1	
5	4H7-84744-00-00	. BULB (12V-8W)	1	
6	4H7-84743-00-00	. LENS, LICENSE LIGHT	1	
7	98503-04014-00	. SCREW, PAN HEAD	2	
8	1M1-84524-60-00	. SCREW, LENS FITTING	2	
9	4H7-84753-60-00	. DAMPER	1	
10	97313-06016-00	BOLT, HEXAGON	3	
11	92901-06600-00	WASHER	3	
12	90480-16112-00	GROMMET	1	
13	90480-15061-00	GROMMET	1	
14	4H7-84751-01-93	BRACKET, LICENSE	1	CHROME PLATED
15	97313-06016-00	BOLT, HEXAGON	2	
16	92995-06100-00	WASHER, SPRING	2	
17	92901-06600-00	WASHER	2	

TURNSIGNAL

Ref. No.	Part Number	Description	Qty	Remarks
1	5H1-83330-K0-00	R FLSHR LITE ASSEMBLY (4X7-83310-K0)	4	
2	256-83311-70-XX	. BULB, TS 12V27W	1	
3	4H7-83312-00-00	. LENS, FLASHER	1	
4	4H7-83313-00-00	. GASKET, FLSHR LENS	1	
5	4X7-83328-00-00	STAY, FLASHER 2	4	
6	4X7-83325-00-00	BLT, FLSHR STY FTNG	4	
7	341-83321-01-00	DAMPER, FLASHER 1	4	
8	90201-127A1-00	WASHER, PLATE	4	
9	95706-12500-00	NUT, FLANGE	4	
10	97021-06030-00	BOLT	4	
11	95701-06500-00	NUT, FLANGE	4	
12	4X7-83318-00-00	STAY, FLASHER 1	2	
13	97011-08016-00	BOLT	2	
14	92990-08100-00	WASHER	2	



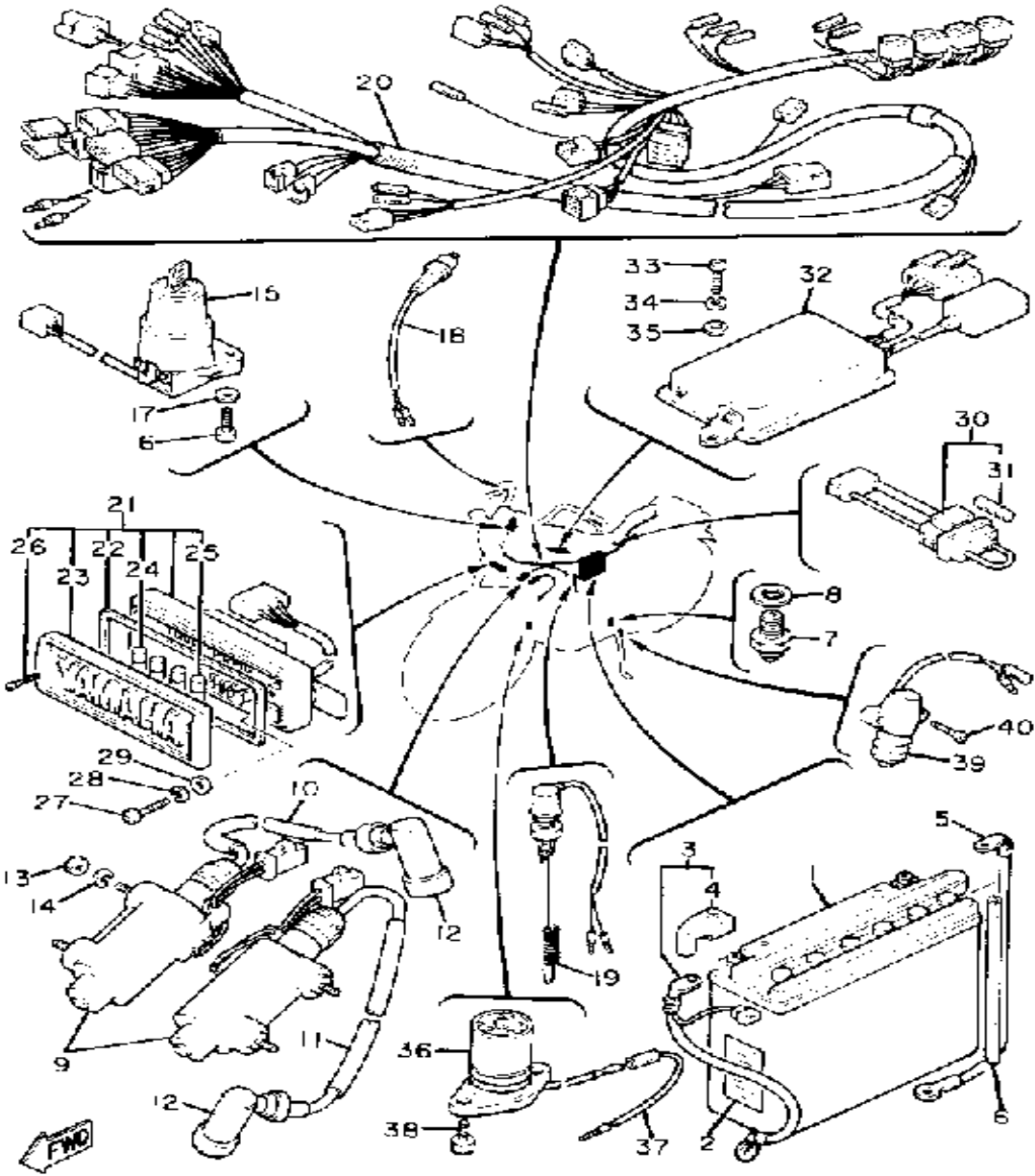
ELECTRICAL 1



Ref. No.	Part Number	Description	Qty	Remarks
1	BTY-YB16A-LA-20	BATTERY ASSEMBLY	1	
2	118-82141-09-00	LABEL, BATTERY	1	
3	4X7-82115-00-00	WIRE, PLUS LEAD	1	
4	4X7-82119-00-00	. COVER, LEAD WIRE	1	
5	4X7-82116-01-00	WIRE, MINUS LEAD	1	
6	90445-08046-00	HOSE	1	
7	2H7-82540-00-00	NEUTRAL SWITCH ASSEMBLY	1	
8	90430-10171-00	GASKET	1	
9	4X7-82310-70-00	IGNITION COIL ASSEMBLY	2	
10	4X7-82341-00-00	CORD, HIGH TENS 1 (4X7-82342-00)	1	
11	4X7-82341-00-00	CORD, HIGH TENS 1 (4X7-82342-00)	1	
12	1J7-82370-00-00	PLUG CAP ASSEMBLY	2	
	1J7-82370-10-00	PLUG CAP ASSEMBLY	2	ALT. PART
13	95380-06600-00	NUT	4	
14	92995-06100-00	WASHER, SPRING	4	
15	3JV-82501-00-00	MAIN SWITCH STEERING LOCK	1	
16	97313-06016-00	BOLT, HEXAGON	2	
17	92901-06600-00	WASHER	2	
18	1A0-83980-30-00	STOP SWITCH ASSEMBLY	1	
19	4X7-82530-02-00	STOP SWITCH ASSEMBLY	1	
20	4X7-82590-51-00	WIRE HARNESS ASSEMBLY (4X7-82590-50)	1	
21	4X7-82170-00-00	FUSE BOX ASSEMBLY	1	
22	(4X7-82175-00-00)	GASKET	1	
23	4X7-82172-00-00	. COVER, FUSE BOX	1	
24	4X7-82151-00-00	. FUSE	1	
25	116-82151-00-00	. FUSE (10A)	3	

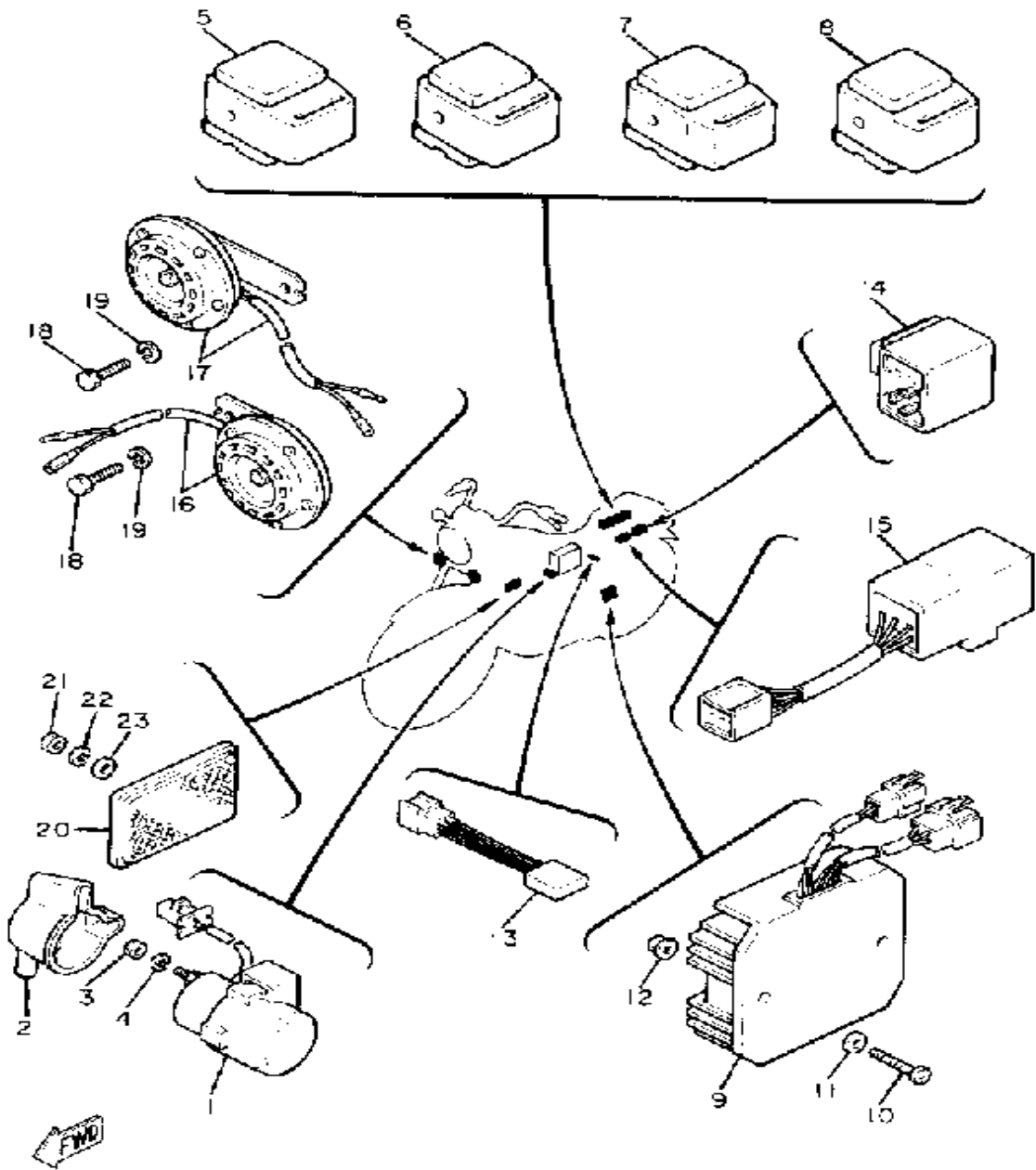
CONTINUED ON NEXT FRAME ►

ELECTRICAL 1



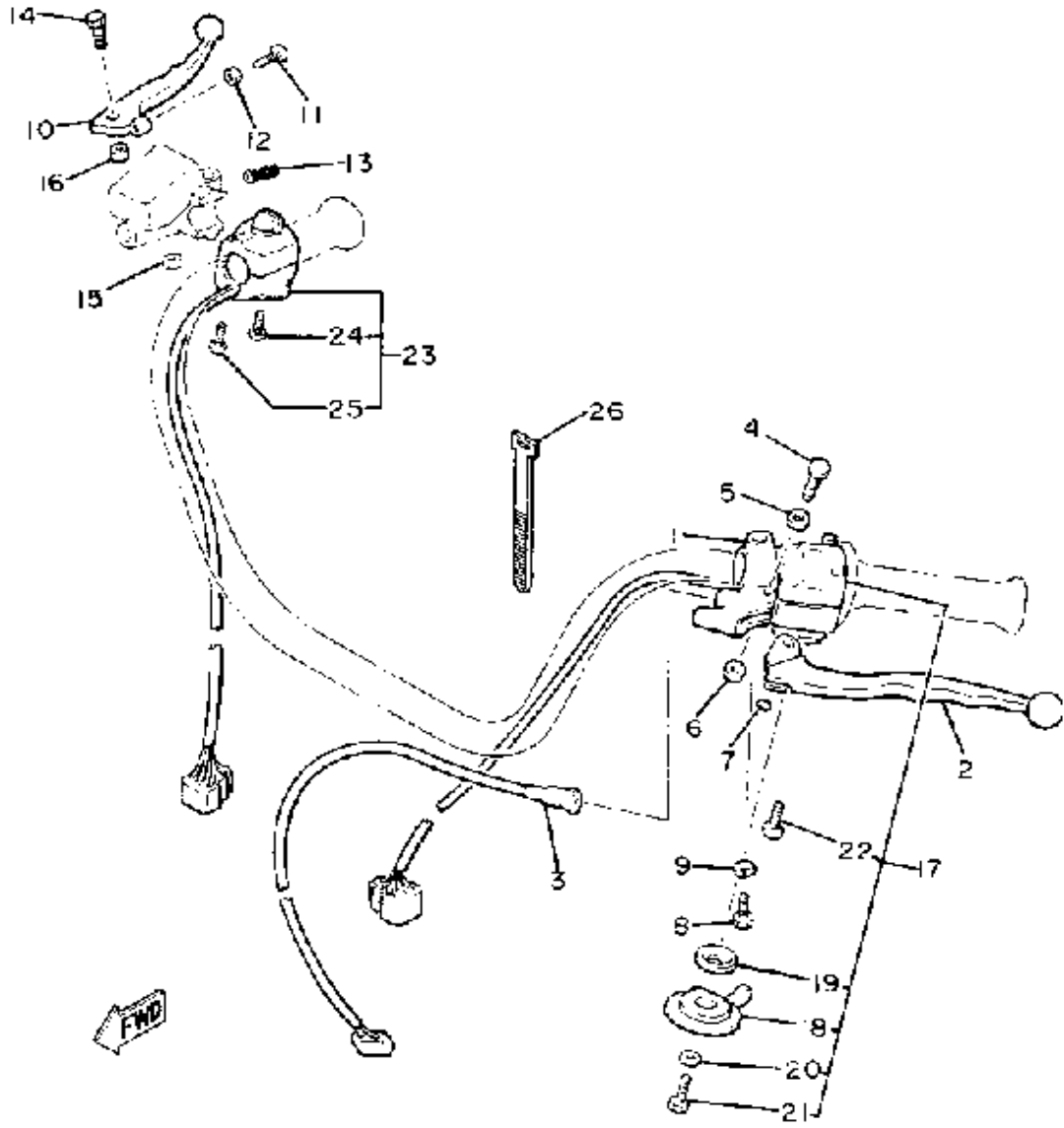
Ref. No.	Part Number	Description	Qty	Remarks
26	98706-04010-00	. SCREW, FLAT HEAD	2	
27	98580-06030-00	SCREW PAN HEAD	2	
28	92995-06100-00	WASHER, SPRING	2	
29	90201-06048-00	WASHER, PLATE	2	
30	4X7-82150-00-00	FUSE HOLDER ASSEMBLY	1	
31	1A0-82161-00-00	. FUSE (20A) (148-82151-00-00)	2	
32	4X7-82305-21-00	IGNITOR UNIT ASSEMBLY 1 (4X7-82305-20)	1	
33	98580-06012-00	SCREW, PAN HEAD	2	
34	92995-06100-00	WASHER, SPRING	2	
35	92901-06600-00	WASHER	2	
36	3JK-85720-00-00	OIL LEVEL GAUGE ASSEMBLY	1	
37	4X7-85721-00-00	WIRE, LEAD	1	
38	91311-06020-00	BOLT, SOCKET HEAD	2	
39	33E-82566-00-00	SWITCH, SIDE STAND	1	
40	98706-05016-00	SCREW, FLAT HEAD	2	

ELECTRICAL 2



Ref. No.	Part Number	Description	Qty	Remarks
1	4X7-81940-10-00	STARTER SWITCH ASSEMBLY	1	
2	4X7-81942-00-00	COVER	1	
3	95380-06700-00	NUT	2	
4	92995-06100-00	WASHER, SPRING	2	
5	3H5-81950-00-00	RELAY ASSEMBLY	1	
6	4U8-81950-02-00	RELAY ASSEMBLY. (4U8-81950-00)	1	
7	4U8-81950-02-00	RELAY ASSEMBLY. (4U8-81950-00)	1	
8	12R-81950-01-00	RELAY ASSEMBLY.RELAY (4H7-81950-01)	1	
9	4X7-81960-A0-00	RECTIFIER/REG ASSEMBLY	1	
10	98580-06035-00	SCREW, PAN HEAD	2	
11	90201-06M02-00	WASHER, PLATE	2	
12	95701-06500-00	NUT, FLANGE	2	
13	4U8-81980-M0-00	DIODE ASSEMBLY	1	
14	4E6-83350-70-00	FLASHER RELAY ASSEMBLY	1	
15	1A0-83395-03-00	FLASHER CANCL UNIT	1	
16	26H-83371-20-00	HORN	1	HIGH TONE
17	26H-83371-30-00	HORN	1	LOW TONE
18	97016-08016-00	BOLT	2	
19	92906-08100-00	WASHER, SPRING	2	
20	4X7-85110-00-00	FRT REFLECTOR ASSEMBLY	2	
21	95311-05700-00	NUT	2	
22	92990-05100-00	WASHER, SPRING	2	
23	92990-05200-00	WASHER, PLAIN	2	

HANDLE SWITCH-LEVER



Ref. No.	Part Number	Description	Qty	Remarks
1	4H7-82911-00-00	HOLDER, LEVER 1	1	
2	2H0-83912-30-00	LEVER L	1	
3	3Y6-82917-00-00	SWITCH	1	
4	2H7-83945-00-00	BOLT, LEVER	1	
5	90201-08083-00	WASHER, PLATE	1	
6	95601-06100-00	NUT, U	1	
7	93210-11368-00	O-RING	1	
8	97006-06022-00	BOLT	1	
9	92906-06100-00	WASHER, SPRING	1	
10	2H7-83922-20-00	LEVER R	1	
11	90149-06131-00	SCREW	1	
12	90170-06010-00	NUT	1	
13	90501-10510-00	SPRING, COMPRESSION	1	
14	90109-06465-00	BOLT	1	
15	95601-06100-00	NUT, U	1	
16	90386-08094-00	BUSH, SPEC'L NYLON	1	
17	4H7-83973-00-00	SWITCH, HANDLE 3	1	
18	4H7-83941-00-00	. LEVER, STARTER	1	
19	90209-10131-00	. WASHER	1	
20	92990-06200-00	. WASHER	1	
21	90101-06576-00	. BOLT	1	
22	98506-05030-00	. SCREW, PAN HEAD	2	
23	2H7-83975-02-00	SWITCH, HANDLE 2	1	
24	98506-05030-00	. SCREW, PAN HEAD	1	
25	98506-05040-00	. SCREW, PAN HEAD	1	
26	437-83936-01-00	BAND, SWITCH CORD	4	

TOP END GASKET KIT

Ref. No.	Part Number	Description	Qty	Remarks
26	(4X7-W0001-90-00)	GASKT KIT TE XV7 0	1	
	341-12119-02-00	SEAL, VALVE STEM	4	
	3EG-14613-00-00	GASKET, EXHAUST PIPE	2	
	3JL-11351-00-00	GASKET, CYLINDER	2	
	4DW-12213-00-00	GASKET, TENSIONER CASE ..	4	
	4X7-11181-00-00	GASKET, CYLINDER HEAD 1 .	2	
	4X7-11355-00-00	SEAL, CYLINDER 1	2	
	4X7-13556-00-00	GASKET, MANIFOLD	2	
	90430-15169-00	GASKET	3	
	90430-17168-00	GASKET	6	
	93210-07438-00	O-RING	2	
	93210-62446-00	O-RING	4	
	93210-89447-00	O-RING	2	
	93210-92448-00	O-RING	2	

XV750H

1981 SERVICE DATA

MODEL - IBM I.D. NUMBER	XV750H-B	XV750H-R	4X7
Initial Engine Number / Frame Number	4X7-000101 / 4X7-000101		
Basic Color(s)	New Yamaha Black (B)	New Ruby Red (R)	
Fuel Type / Fuel Tank Capacity / Reserve Capacity	Regular / 12 Lit. (3.2 Gal.) / 2.6 Lit. (0.7 Gal.)		
Dry Vehicle Weight	212 kg (467 lb.)		
ENGINE TYPE	4-Stroke, SOHC, Air-Cooled, V-Twin		
Bore/Stroke/Number Cylinders/Displacement (cc)	83.0mm / 69.2mm / 2 / 748cc		
Compression Ratio/Compression Pressure Min~Max	8.7:1 / 9.0 ~ 11.0 kg/cm ²		
Piston Skirt Clearance New / Max	0.040 ~ 0.060mm / 0.1mm		
Ring End Gap Top / 2nd / 3rd	0.3 ~ 0.5mm / 0.3 ~ 0.5mm / 0.3 ~ 0.9mm		
Valve Clearance (Cold) Intake / Exhaust	0.10mm / 0.15mm		
Oil Pressure Hot / rpm	NA		
Oiling System	Wet Sump		
Capacity: Dry	3600cc		
Oil and Filter Change	3100cc		
Oil Change	3000cc		
Lubricant: Temp. Above 5°C (40°F)	Yamalube 4* or SAE 20W40		
Temp. Below 15°C (60°F)	SAE 10W30		
AUTOLUBE - Min Stroke / Color Code	∅		
Minimum Output @ 200 Cycles	∅		
Maximum Output @ 200 Cycles	∅		
CARBURETOR - Mfr. / Type / I.D. Number	Hitachi / HSC40 / 4X7-00		
Main Jet / Pilot Jet	122 / 41		
Needle Jet / Jet Needle-Clip Position	∅ / #1: Y-23 #2: Y-22 Fixed		
Slide Cutaway or Throttle Valve	∅		
Float Level / Fuel Level	NA / #1: 1.0 ± 1.0mm #2: 2.0 ± 1.0mm		
Idle rpm	1000		
Max CO* / Max HC* / Set CO	7% / 500 ppm / 3% (All Settings @ Idle)		
SUSPENSION			
Front Forks: Oil Type / Level / Qty	10 Wt. Fork Oil* / ∅ / 278cc		
Gas Pressure	0.4 kg/cm ² (5.69 psi)		
Spring Length Std	635mm		
Monoshock: Oil Type / Qty	Not Rebuildable		
Gas Pressure	1.0 kg/cm ² (14.2 psi)		
Minimum Brake Lining Thickness	Front: 1.2mm Rear: 2.0mm		
Tire Size (Nominal Pressure)	F:3.50H19 (1.8 kg/cm ² /26 psi) R:130/90-16 67H (2.0 kg/cm ² /28 psi)		
TRANSMISSION - Oil Type/Qty Chg/Qty Reassemble	See ENGINE Above		
Primary Drive Type / Teeth / Ratio	Spur Gear / 78-47 / 1.660		
Secondary Drive Type / Teeth / Chain	Shaft / 47-45 x 19-18 x 32-11 / ∅		
Clutch Friction Plate Thickness Std ~ Min	3.0 ~ 2.9mm		
Clutch Spring Length Std ~ Min	41.2 ~ 40.2mm		
Middle Gear Case Capacity	∅		
Final Gear Case Capacity	0.2 Lit. (0.32 Qt.)		
Gear Case Lubricant: Temp. Above 5°C (40°F)	SAE 90 Hypoid Gear Oil GL-4		
Temp. Below 15°C (60°F)	SAE 80 Hypoid Gear Oil GL-4		
All Weather Conditions	SAE 80W90 Hypoid Gear Oil GL-4		

SERVICE COPY	SER MGR	MECH	MECH	MECH	BINDER
OFFICE COPY	GEN MGR	SALES	PARTS	BINDER	PAGE 1 OF 2

CHARGING SYSTEM	AC Magneto / 3-Phase / Full Wave
Battery: Model / Specific Gravity / Charge Rate	YB16AL / 12V 16AH / 1.28 / 1.6A
Maximum Output	14V 16A @ 5000 rpm
TROUBLESHOOTING	
Field Coil Color Code / Ω	Stator: Wht ~ Wht / 0.5 Ω ± 10%
Charge Coil Color Code / Ω	∅
IGNITION SYSTEM	Transistor-Controlled Ignition
Ignition Timing	Std: 10° @ 1000 rpm Adv: 35° @ 3600 rpm
TROUBLESHOOTING	
Spark Plug Type	NGK BP7ES
Spark Plug Gap / Torque / Cap Ω	0.7 ~ 0.8mm / 2.0 m·kg / 5K Ω ± 15%
Point Gap / Condenser Capacitance	∅ / ∅
TROUBLESHOOTING	
Ignition Coil Test Gap / Primary Ω / Secondary Ω	6mm / 2.7 Ω ± 15% / 8.5K Ω ± 15%
Pulser Coil or Pickup Coil Color Code / Ω	Brn ~ Grn / Red ~ Blu / 155 Ω ± 20%
Source Coil Color Code / Ω	∅
LIGHTING SYSTEM	
Headlight / Taillight / Signal Rating	12V60-55W / 12V27-8W / 12V27W
TROUBLESHOOTING	
Lighting Coil Color Code / Ω	∅
TORQUE VALUES	
Front Axle Nut	14 x 1.50: 10.7 m·kg
Front Axle Holder Nut	8 x 1.25: 2.0 m·kg
Rear Axle Nut	14 x 1.50: 10.7 m·kg
Rear Axle Pinch Bolt	∅
Clutch Nut	8 x 1.25: 1.2 m·kg
Drain Plug	14 x 1.50: 4.3 m·kg
Cylinder Head Cover	∅
Cylinder Head:	Nut 10 x 1.25: 4.0 m·kg Bolt 8 x 1.25: 2.0 m·kg
	Nut #1: 12 x 1.25: 5.0 m·kg Nut #2: 12 x 1.25: 6.4 m·kg
Engine Mounting Bolts: Bracket, Front	12 x 1.25: 5.4 m·kg
	Bolt, Front
	10 x 1.25: 5.5 m·kg
	Bolt, Rear
	10 x 1.25: 5.5 m·kg
	Bolt, Rear Upper
	10 x 1.25: 5.5 m·kg
	Bolt, Rear Lower
	10 x 1.25: 5.5 m·kg

∅ = Does Not Apply To This Model

NA = Information Not Available

*Available From Yamaha Parts Distributors Inc.

*For Diagnostic Use Only

CHARGING SYSTEM	AC Magneto / 3-Phase / Full Wave
Battery: Model / Specific Gravity / Charge Rate	YB16AL / 12V 16AH / 1.28 / 1.6A
Maximum Output	14V 16A @ 5000 rpm
TROUBLESHOOTING	
Field Coil Color Code / Ω	Stator: Whit ~ Whit / 0.5 Ω \pm 10%
Charge Coil Color Code / Ω	\emptyset
IGNITION SYSTEM	Transistor-Controlled Ignition
Ignition Timing	Std: 10° @ 1000 rpm Adv: 35° @ 3600 rpm
TROUBLESHOOTING	
Spark Plug Type	NGK BP7ES
Spark Plug Gap / Torque / Cap Ω	0.7 ~ 0.8mm / 2.0 m-kG / 5K Ω \pm 15%
Point Gap / Condenser Capacitance	\emptyset / \emptyset
TROUBLESHOOTING	
Ignition Coil Test Gap / Primary Ω / Secondary Ω	6mm / 2.7 Ω \pm 15% / 8.5K Ω \pm 15%
Pulser Coil or Pickup Coil Color Code / Ω	Brn ~ Grn / Red ~ Blu / 155 Ω \pm 20%
Source Coil Color Code / Ω	\emptyset
LIGHTING SYSTEM	
Headlight / Taillight / Signal Rating	12V60-55W / 12V27-8W / 12V27W
TROUBLESHOOTING	
Lighting Coil Color Code / Ω	\emptyset
TORQUE VALUES	
Front Axle Nut	14 x 1.50: 10.7 m-kG
Front Axle Holder Nut	8 x 1.25: 2.0 m-kG
Rear Axle Nut	14 x 1.50: 10.7 m-kG
Rear Axle Pinch Bolt	\emptyset
Clutch Nut	8 x 1.25: 1.2 m-kG
Drain Plug	14 x 1.50: 4.3 m-kG
Cylinder Head Cover	\emptyset
Cylinder Head:	Nut 10 x 1.25: 4.0 m-kG Bolt 8 x 1.25: 2.0 m-kG
	Nut #1: 12 x 1.25: 5.0 m-kG Nut #2: 12 x 1.25: 6.4 m-kG
Engine Mounting Bolts: Bracket, Front	12 x 1.25: 5.4 m-kG
Bolt, Front	10 x 1.25: 5.5 m-kG
Bolt, Rear	10 x 1.25: 5.5 m-kG
Bolt, Rear Upper	10 x 1.25: 5.5 m-kG
Bolt, Rear Lower	10 x 1.25: 5.5 m-kG

\emptyset = Does Not Apply To This Model
NA = Information Not Available

*Available From Yamaha Parts Distributors Inc.
*For Diagnostic Use Only